



Teralux Dimmer Knob Switch Zigbee Protocol User Manual

CE RoHS



Teralux Office

Komp. Ruko Harmoni Mas, Jl. Jemb. Dua Raya
No.15 blok A, RT.1/RW.3, Pejagalan, Penjaringan,
North Jakarta City, Jakarta 14450

Dimmer Knob Switch Scene Zigbee Protocol

The TERALUX Smart Dimmer Knob Switch 2-in-1 is a flexible Zigbee control panel that combines smooth light dimming, a 2-gang relay switch, and 2-way scene control. Working with the Tuya ecosystem, it lets you adjust cold-warm lighting, switch devices on/off, and activate custom scenes through the panel or app. With its intuitive knob, buttons, and compact design, it provides easy control for lights, curtains, air conditioners, and other smart home devices.

Features

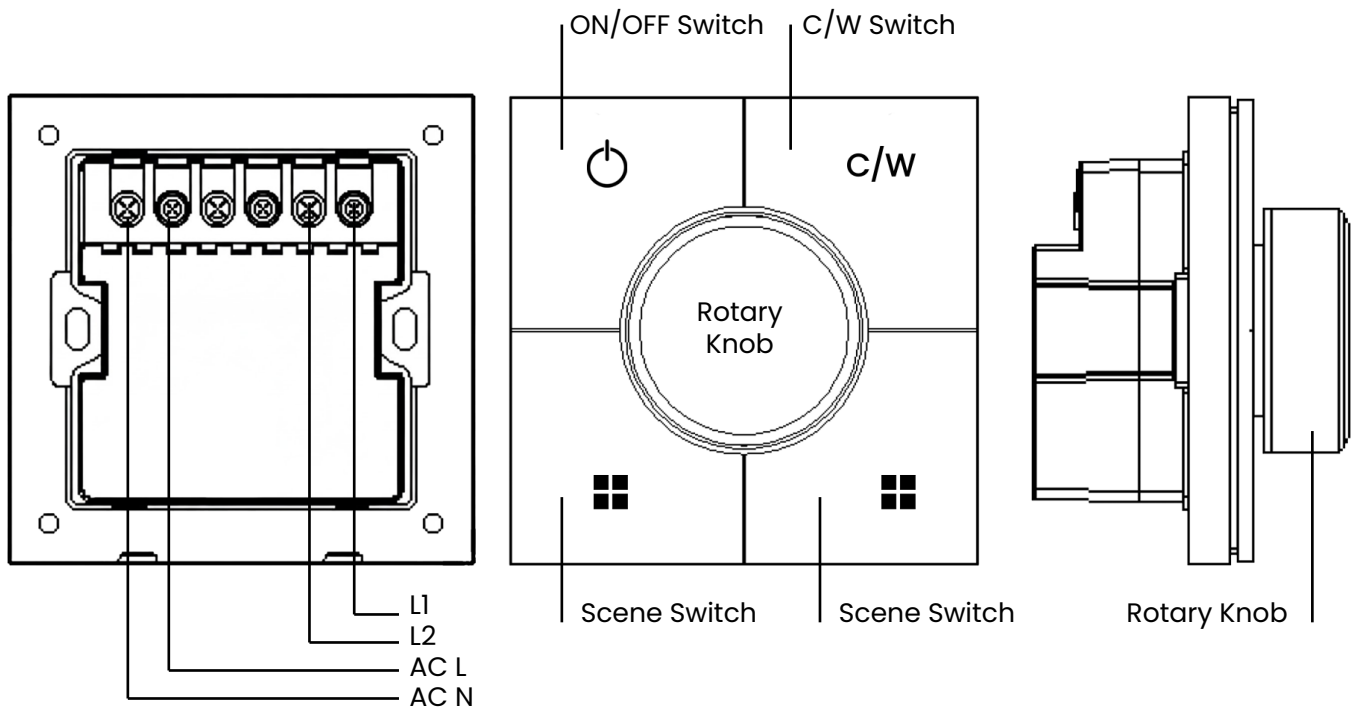
Self contained knob design, adjust the light brightness and colour temperature by rotating the knob.

Customise linked scenes to quickly switch between scene mode and light mode.

Smart Home Connectivity, Profiles, Device Automation, Remote App Control.

Compatible with some Graffiti Eco devices.

Mechanical Structure



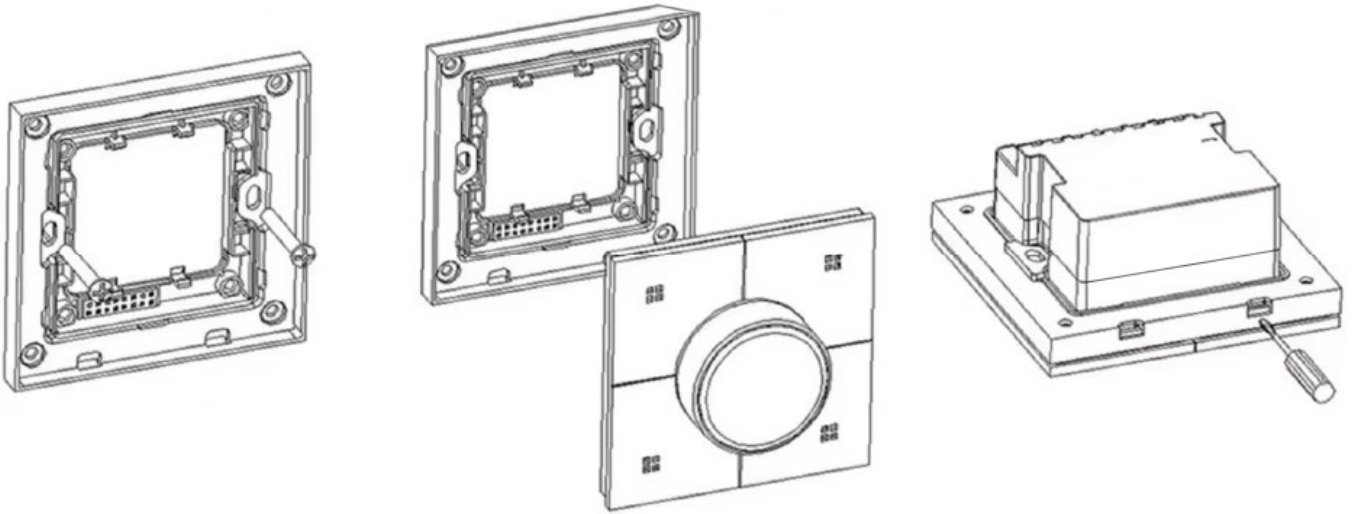
Technical Parameter

Smart Switch Zigbee Protocol

Engineered for modern smart lighting, this converter delivers smooth, accurate brightness adjustment and CCT control with dependable efficiency and compatibility.

Parameter	Specification
Brand	Teralux
Model	TL-DK2-X3
Input Voltage	110V – 240V AC
Function	Smart dimmer + 2-gang relay + scene switch
Relay Function	2-gang relay ON/OFF control
Scene Control	Supports 2-way scene switching, quick mode switching
Smart Features	Automation, intelligent linkage scenes, lighting mode presets
Wireless Protocol	Zigbee
App Compatibility	Smart Life, Tuya
Control Method	Center rotary knob + 4 physical buttons + App control
Interface	4-switch button layout with knob small display
Dimming Type	Rotary Cold & Warm (C/W) color dimming
Display	LED circular display showing brightness, online status, mode
Use For	Lights, curtains, AC, other Zigbee smart home devices
Gateway Requirement	Zigbee gateway required
Size	86 × 86 mm

Installation Schematic



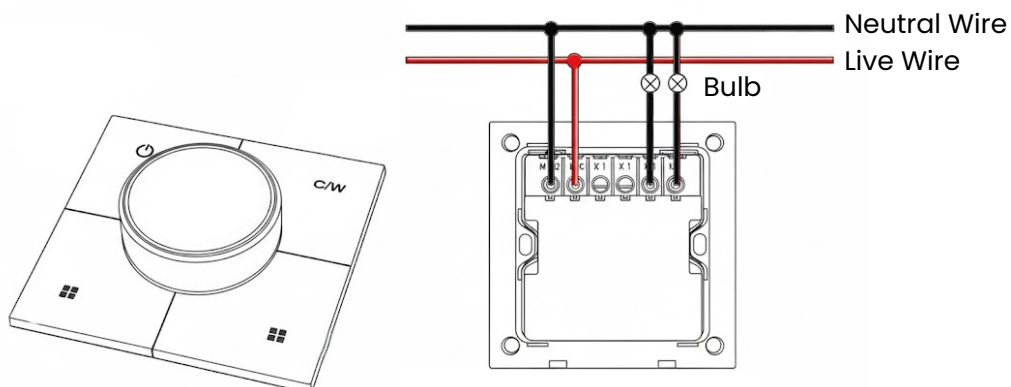
Installation instructions

To ensure the product functions safely and as intended, installation and removal must be carried out by a professional electrician. A qualified technician will correctly size and secure wiring, follow local electrical codes, and verify grounding and connections; this reduces the risk of damage to the unit and helps avoid potential hazards that can arise from improper handling.

Before beginning any work, switch off the main power supply at the circuit breaker and confirm that the circuit is dead. Physically isolating power and using a suitable voltage tester prevents accidental electric shock while you install or dismantle the product. Never attempt wiring or adjustments while the power is live.

Keep the product well clear of open flames, heat sources, and standing water both during installation and regular use. Avoid mounting the unit near heaters, gas lines, or other equipment that generates high temperatures, and ensure any nearby plumbing cannot leak onto the device — exposure to fire or moisture can damage components and create a safety risk.

This product is not designed for wet or highly humid environments (for example, bathrooms or outdoor locations without appropriate weatherproofing). If you require lighting or control in damp areas, choose a model specifically rated for wet locations or consult your electrician about proper enclosures and IP-rated alternatives to maintain safety and performance.





Teralux Office

Komp. Ruko Harmoni Mas, Jl. Jemb. Dua Raya
No.15 blok A, RT.1/RW.3, Pejagalan, Penjaringan,
North Jakarta City, Jakarta 14450

teraluxliving.com