



# Teralux SPI Mini LED Strip Controller

## Teralux Addressable LED Strip Controller

The S-Series SPI LED Controller Mini 5–24V Wi-Fi delivers advanced smart lighting control for addressable LED strips using the Tuya or Smart Life app. Designed for IRSPI signal output, it supports vibrant RGBIC lighting effects, dynamic scene modes, and music synchronization for immersive lighting experiences. Users can control brightness, color, speed, and effects remotely via smartphone, as well as integrate the controller into automated lighting schedules.

With multiple control options, stable Wi-Fi connectivity, and broad voltage compatibility, this compact controller is ideal for both residential and commercial lighting applications. Its durable and space-saving design ensures easy installation while providing reliable performance for modern smart lighting setups.

### Features

Easily control colors, effects, brightness, and scenes through the Tuya or Smart Life app from anywhere.

Supports addressable RGBIC LED strips with smooth animations, multi-color effects, and vibrant lighting scenes.

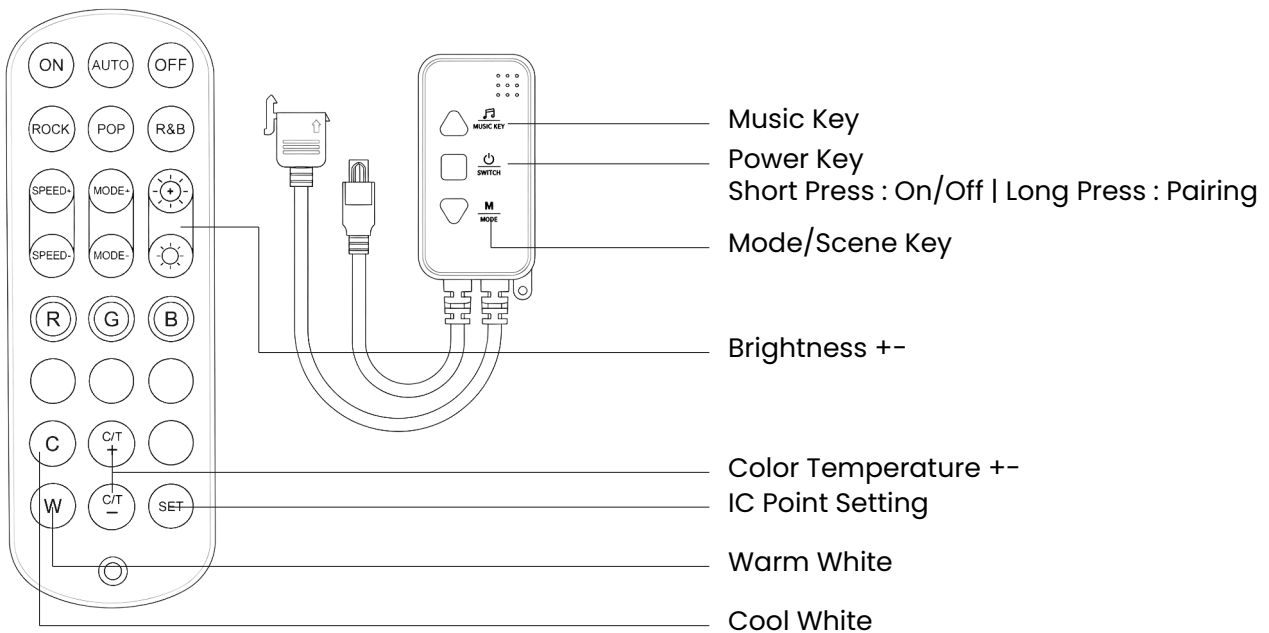
Built-in music synchronization allows lights to react in real time to sound and rhythm for immersive environments.

Operates on a 5–24V power range, making it compatible with various SPI LED strip types and installations.

Mini-sized controller with a robust build for easy installation, even in tight spaces, while ensuring long-term reliability.

Supports app control, scene presets, scheduling, and automation for flexible and convenient lighting management.

### Mechanical Structure



# Technical Parameter

| Category                                 | Specification                    |
|--|----------------------------------|
| Control Mode                             | App + Keys + Sound Control       |
| APP                                      | Tuya                             |
| Input                                    | DC 5V - 3A                       |
| Light Color                              | RGBIC Magic                      |
| Waterproof                               | IP65                             |
| LED Qty                                  | 10 Beads/m                       |
| Musical Rhythm                           | Support Rhythm                   |
| Material                                 | ABS PC Fireproof V0              |
| Distribution Network Mode (Pairing Mode) | Press and Hold the Switch For 5s |
| Certification                            | CE RoHS FCC                      |

## Key Function

### IC Point Setting

Press and hold the "SET" key on the remote control to flash into settings. SPEED+ / SPEED-: Press CT+ / CT- to adjust point. Press the RGB key one by one to adjust the RGB to the corrected color, then press any key of the remote control to exit the color correction mode.

### Brightness

Color temperature; Cool White / Warm White; Color temperature + / -

## Warning

Please keep the string lights away from sharp objects and strong corrosive chemicals. Do not install the lights near heat sources, open flames, or other potential hazards such as candles or flammable materials. Children should not install or operate the string lights independently. To ensure safe use and long-term performance, always install the product in a secure environment and avoid exposure to conditions that may cause damage or safety risks.

## Pairing Instruction

Press and hold the switch button of the controller for 3–5 seconds, and the red light flashes quickly.

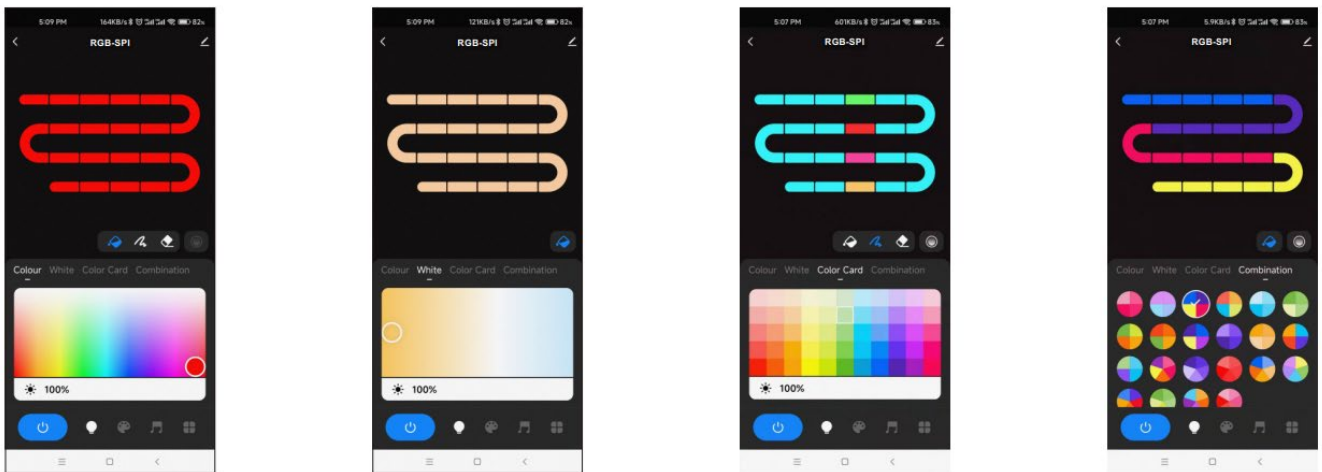
Open Bluetooth and Wi-Fi on the smartphone.

Open the APP application, click Add Device, click the “+” icon in the upper right corner. It will automatically display “Found Device to Add”, then press Add. (If the device cannot appear automatically, you need to add it manually.)

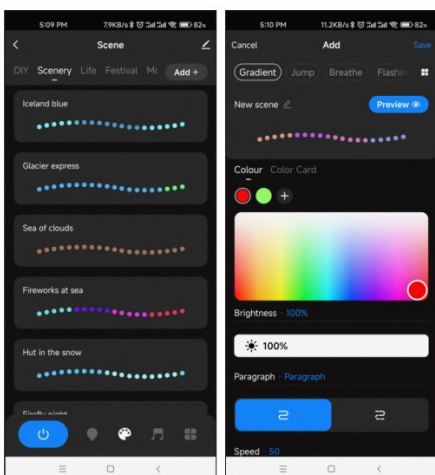
Enter your Wi-Fi password and press Next to add a device. After connecting, the application will prompt you to connect and click Finish. (Please note: this product only supports 2.4G networks.)

## App Interface

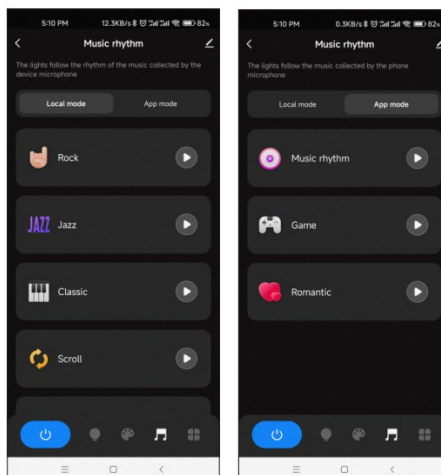
- **Color Interface**



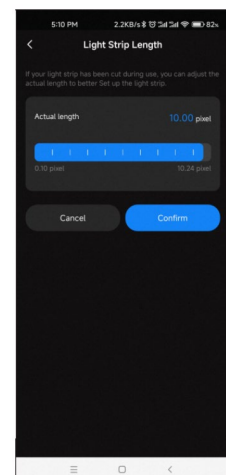
- **Scene Interface**



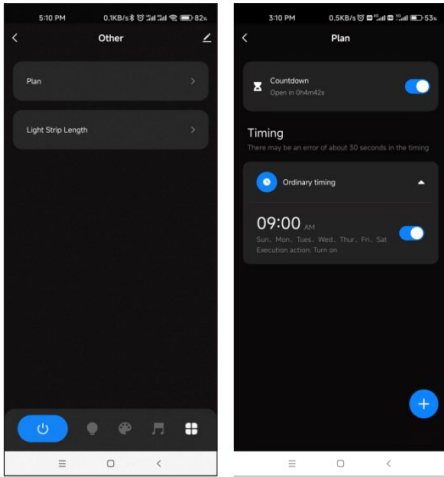
- **Music Rhythm Interface**



- **Strip Length Interface**



- **Plan Interface**





**Teralux Office**

Komp. Ruko Harmoni Mas, Jl. Jemb. Dua Raya  
No.15 blok A, RT.1/RW.3, Pejagalan, Penjaringan,  
North Jakarta City, Jakarta 14450

[teraluxliving.com](http://teraluxliving.com)