

# Teralux Downlight Series User Manual

CE RoHS



**Teralux Office**

Komp. Ruko Harmoni Mas, Jl. Jemb. Dua Raya  
No.15 blok A, RT.1/RW.3, Pejagalan, Penjaringan,  
North Jakarta City, Jakarta 14450

## Teralux Downlight Series

TERALUX Downlight delivers flexible warm-to-cool white lighting with high color accuracy and a focused, elegant beam. Powered by Zigbee, it offers smooth app and voice control via Tuya, Alexa, and Google Assistant, all wrapped in a premium recessed design for modern interiors.

### Features

Easily adjust lighting from warm to cool white to match different moods, activities, or times of day with smooth, precise control.

Delivers natural and true-to-life colors, enhancing interior details, textures, and finishes with premium light quality.

Ensures fast, reliable, and low-latency performance for responsive smart lighting control within your smart home system.

Supports smooth brightness and color temperature control when paired with compatible dimmers and control systems.

Designed with a refined beam angle to create clean, stylish lighting accents without glare.

Built with durable aluminum housing and elegant reflector options, combining efficient heat management with modern aesthetics.

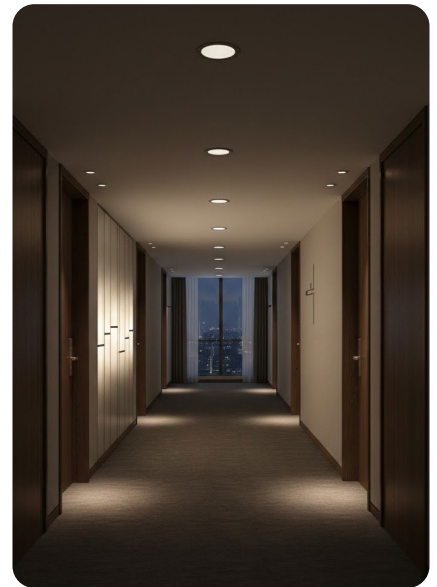
### Device Function



Suitable for Commercial



Suitable for Residential



Suitable for Hospitality Applications

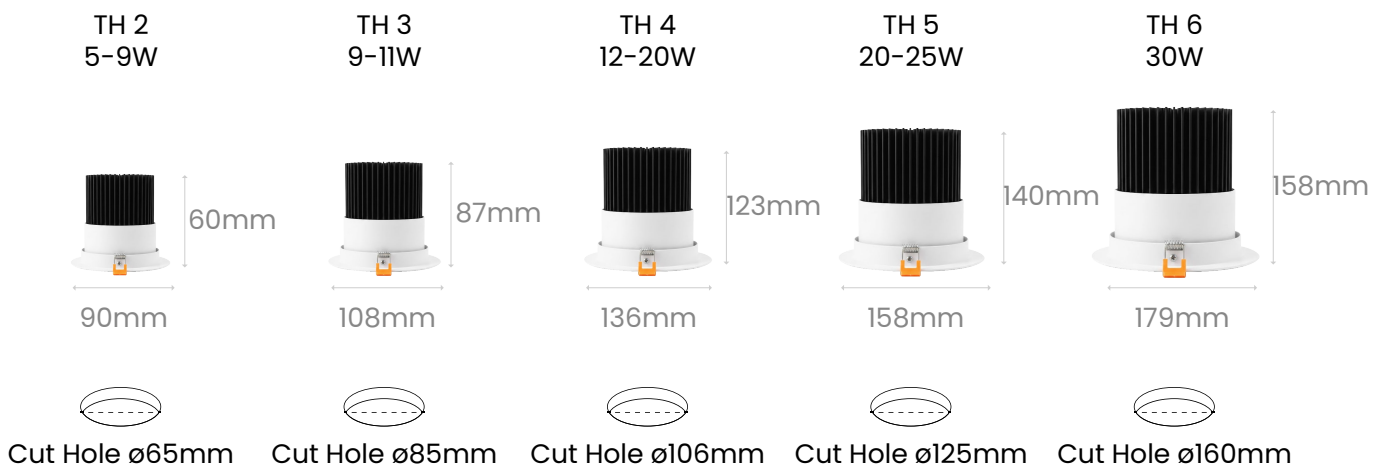
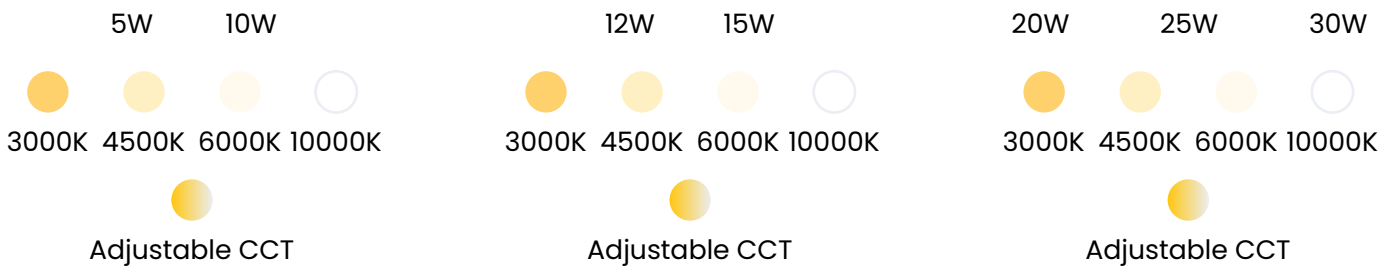
# Technical Parameter

## Category

## Specification

Model	Teralux Downlight TH Series
Luminous Efficacy	±120 lm/W
CRI	Ra ≥90 CRI
Beam Angle	24°
Body Color	White
Reflector Color	Silver Glossy
Certification	CE RoHS

## Color Temperature and Sizing

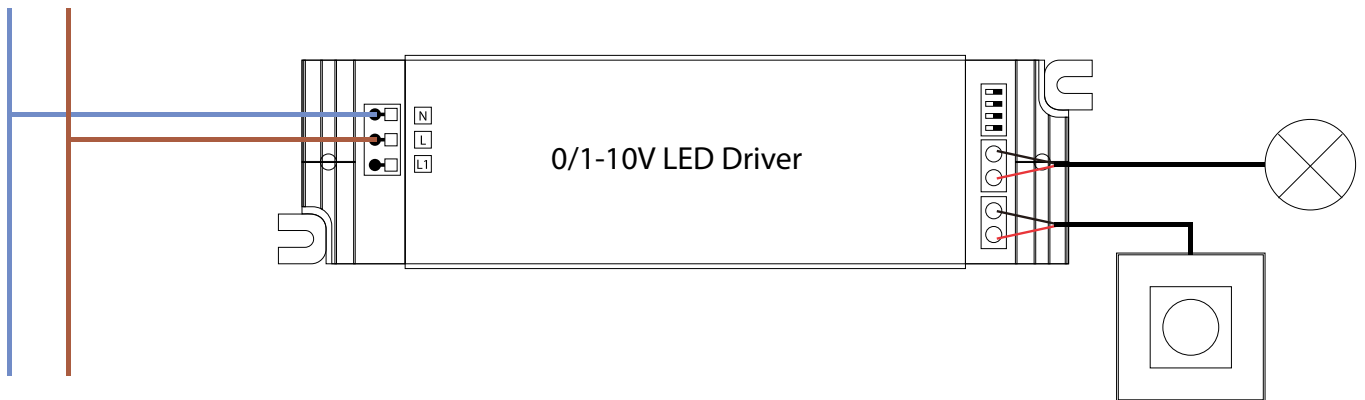


## Wiring Diagram

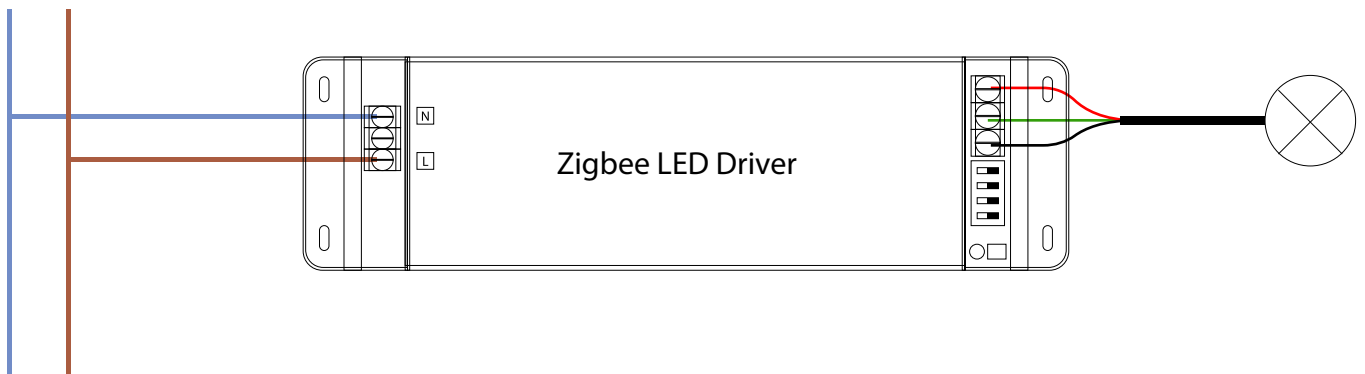
- **Using Triac Protocol**



- **Using 0/1-10v Protocol**

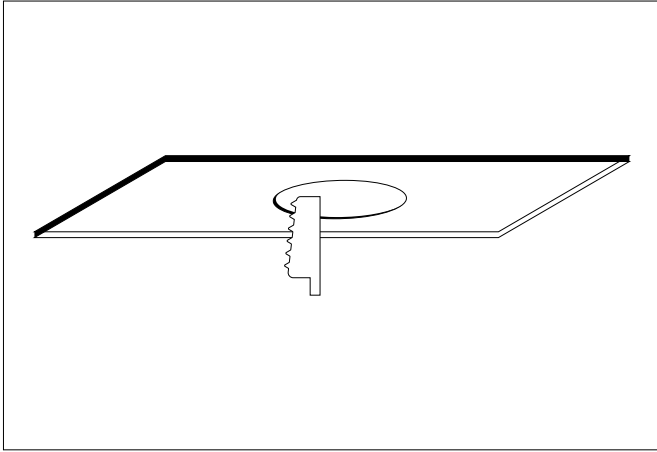


- **Using Zigbee Wireless Protocol**

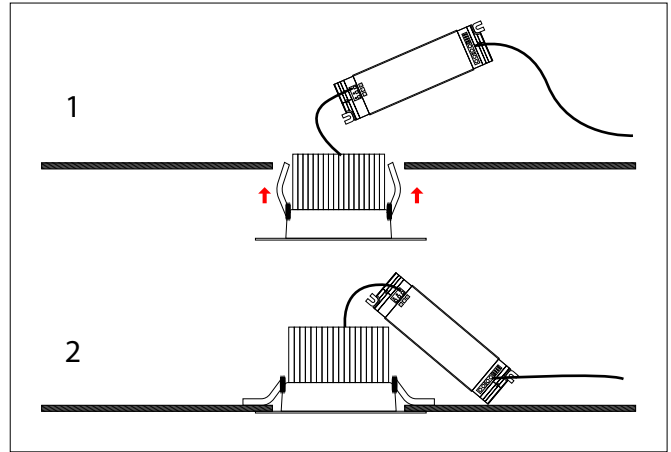


## Mounting Instruction

Before starting the installation, turn off the main electrical power. Determine the installation location for the downlight and cut the ceiling hole according to the downlight size (TH02–TH06). Connect the LED controller/driver to the power supply in accordance with the wiring diagram. Insert the downlight into the ceiling hole, then release the spring clips so the downlight is securely fixed in place.



Cut the ceiling hole based on the downlight's size.



Connect the driver to the electrical power, push panel spring (1) and release after the downlight are installed (2).



**Teralux Office**

Komp. Ruko Harmoni Mas, Jl. Jemb. Dua Raya  
No.15 blok A, RT.1/RW.3, Pejagalan, Penjaringan,  
North Jakarta City, Jakarta 14450

[teraluxliving.com](http://teraluxliving.com)