

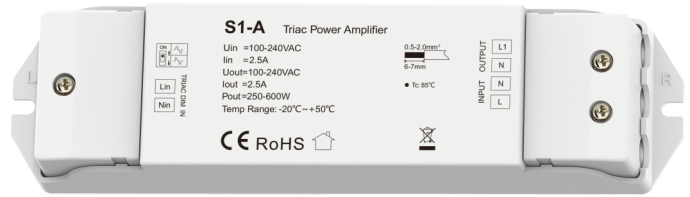
Triac Power Amplifier

Model No.: S1-A

1CH / Leading edge or trailing edge / MAX 2.5A

Features

- 1 channel output, output current MAX.2.5A.
- Used for power extension of triac dimmer to increase system power output.
- The same input signal can control one or more triac power amplifiers.
- Leading edge or trailing edge dimming set by dip switch.
- Support converting from leading edge dimming to trailing edge dimming or vise versa.
- Work with dimmable LED lights or triac dimmable LED drivers.
- Over heat protection, automatic recovery.

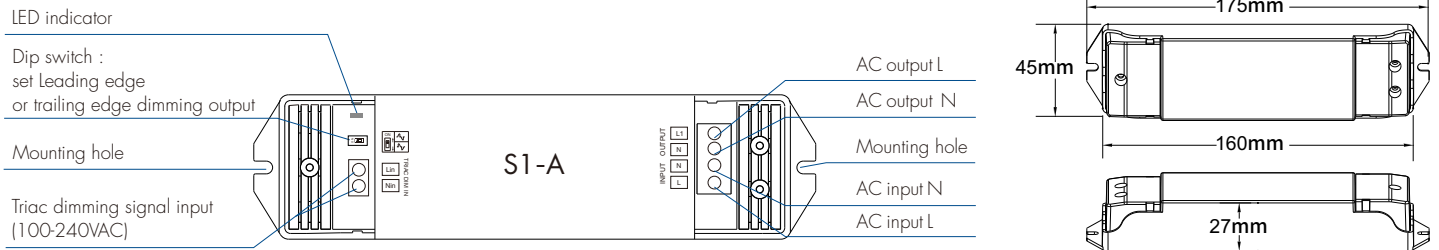


CE RoHS EMC RED

Technical Parameters

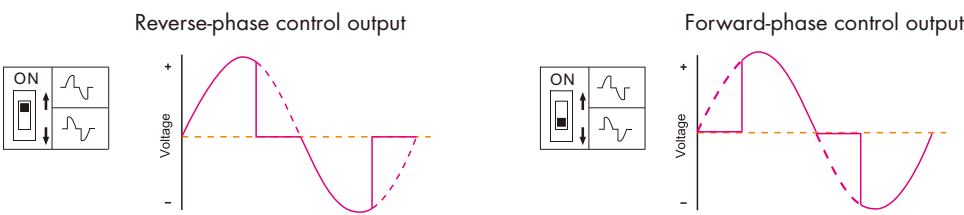
Input&Output		Safety and EMC		Environment	
Input voltage	100-240VAC	EMC standard (EMC)	ETSI EN 301 489-1 V2.2.3 ETSI EN 301 489-17 V3.2.4	Operation temperature	Ta: -20°C ~ +50°C
Input current	Max. 2.5A	Safety standard	EN 62368-1:2020+A11:2020	Case temperature (Max.)	Tc: +85°C
Input signal	100-240VAC phase-cut signal	Certification	CE, EMC, RED	IP rating	IP20
Output voltage	100-240VAC	Warranty	5 years	Package	
Output current	Max. 2.5A	Protection	Over heat	Size	L178x W150 x H38mm
Output power	250-600W			Gross weight	0.14kg

Mechanical Structures and Installations



Leading edge or trailing edge dimming output setting

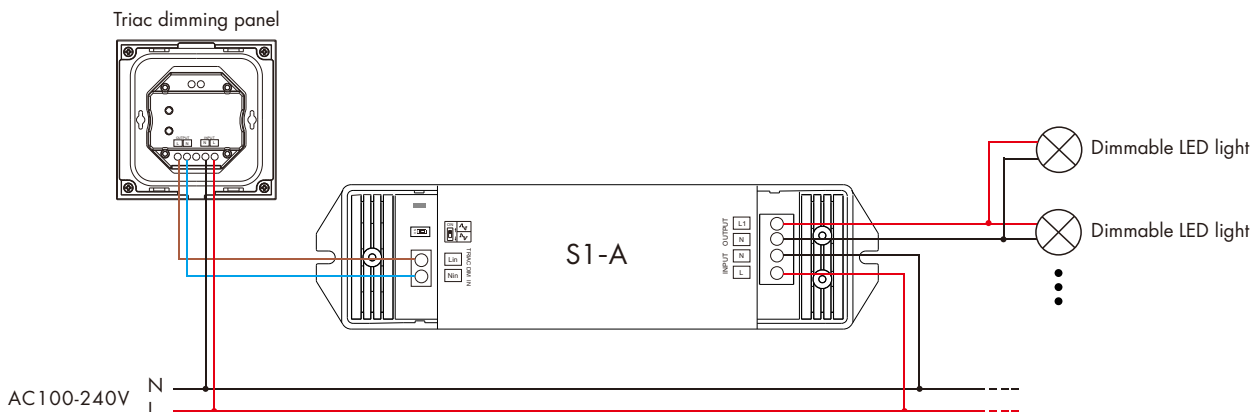
Select leading edge(forward-phase) or trailing edge(reverse-phase) dimming output according to dimmable LED light or driver.



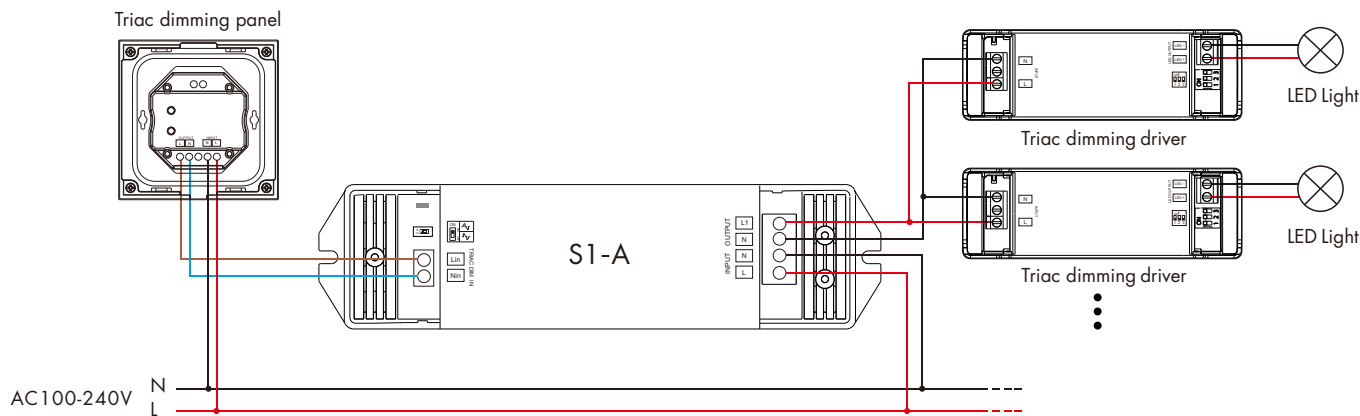
Caution: before power on, you must confirm the selection of dip switch.

Wiring diagram

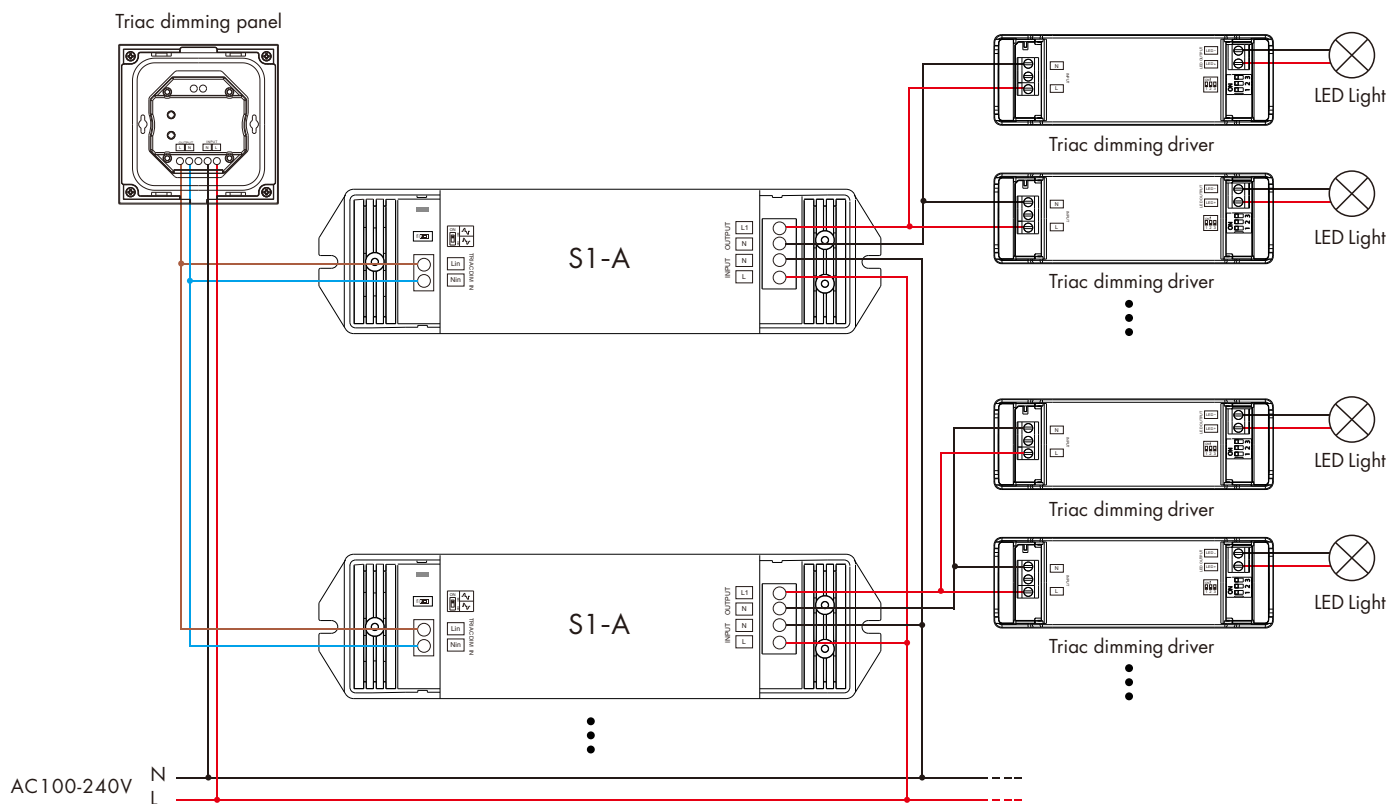
- Triac dimmer (with null and live line) + Triac power amplifier + Dimmable LED light



- Triac dimmer (with null and live line) + Triac power amplifier + Multiple triac dimming drivers



- Triac dimmer (with null and live line) + Multiple triac power amplifiers + Multiple triac dimming drivers



Note:
 The brightness of the LED indicator follows the brightness of the triac dimmer;
 When no triac dimming signal is input, the LED indicator goes out.

Safety and warnings

1. The product should be installed and repaired by professional personnel.
2. This product is no waterproof, please avoid exposure to sunning and rain.
3. Good heat dissipation can extend the service life of power amplifiers, please ensure good ventilation.
4. Please check if the output voltage of the power supply used matches the working voltage of the product.
5. Ensure that all wire connections and polarity are correct and secure before powering on to avoid damaging the product and LED lights.
6. If a malfunction occurs, please return the product to the supplier. Don't attempt to repair this product on your own.