



# SMD 2835 Led Strip

## Teralux SMD 2835 5000K LED Strip User Manual

Single Color LED Strip Natural White



CE RoHS FCC

### Teralux Office

Komp. Ruko Harmoni Mas, Jl. Jemb. Dua Raya  
No.15 blok A, RT.1/RW.3, Pejagalan, Penjaringan,  
North Jakarta City, Jakarta 14450

[teraluxliving.com](http://teraluxliving.com)

## Teralux SMD 2835 LED Strip Series

This flexible LED strip uses high-quality SMD 2835 LEDs to provide bright, clean white lighting with smooth and stable performance. With a high LED density and addressable pixels, it supports both strong illumination and dynamic lighting effects. Designed for DC 12V operation, it is energy efficient and easy to install thanks to its slim, flexible PCB. Ideal for indoor use, it is well suited for architectural accents, retail displays, signage, and decorative lighting projects.

### Features

High-density SMD 2835 LEDs for bright and even light output.

Stable 12V operation for reliable performance.

Flexible and slim PCB for easy bending and clean installation.

Energy-efficient design suitable for long operating hours.

Ideal for indoor architectural, retail, and decorative applications.

### Device Function



Suitable for Residence



Suitable for Decoration



Suitable for Commercial

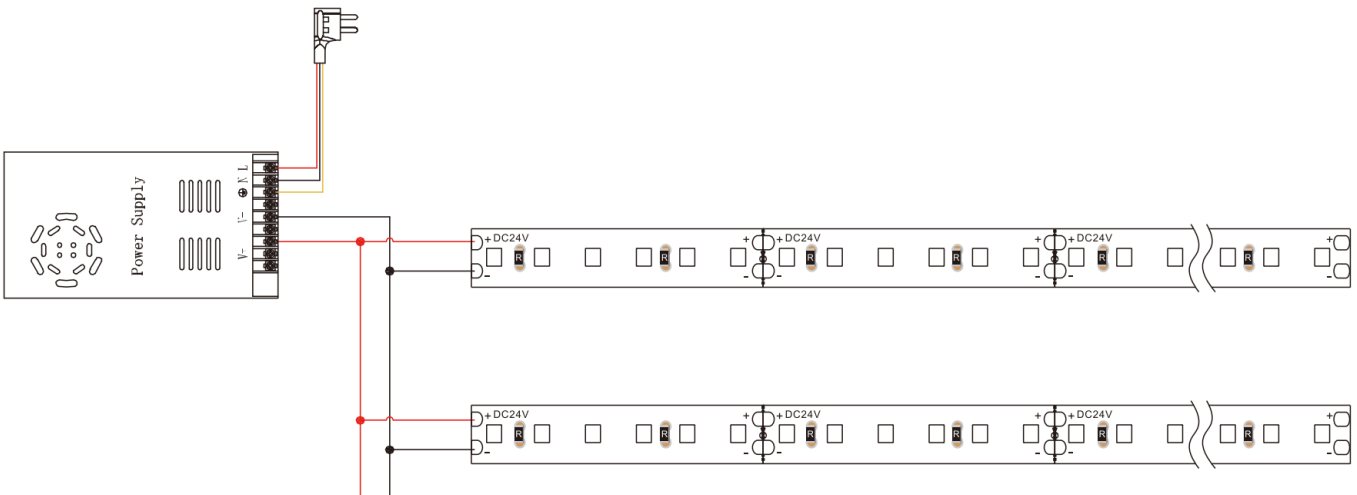
# Technical Parameter

## Category

## Specification

Led Type	SMD 2835
Brand	Teralux
LED Density	120 LEDs/m
Power Consumption	10W/m
Working Voltage	DC 12V
PCB Size	8mm
Light Color	Natural White 5000K
Protection Rating	IP20 (indoor use only)
LED Source	High-quality SMD 2835
Certification	CE RoHS FC

## Wiring Diagram





**Teralux Office**

Komp. Ruko Harmoni Mas, Jl. Jemb. Dua Raya  
No.15 blok A, RT.1/RW.3, Pejagalan, Penjaringan,  
North Jakarta City, Jakarta 14450

[teraluxliving.com](http://teraluxliving.com)