



Teralux Smart Humidity & Temperature Sensor User Manual



Teralux Office

Komp. Ruko Harmoni Mas, Jl. Jemb. Dua Raya
No.15 blok A, RT.1/RW.3, Pejagalan, Penjaringan,
North Jakarta City, Jakarta 14450

Teralux Smart Humidity & Temperature Sensor

The Smart Video Doorbell ProView delivers clear 3MP HD video with infrared night vision and two-way audio for easy communication with visitors. It supports both battery and AC power, includes an adjustable 0–15° mounting bracket, and features customizable PIR motion detection with humanoid filtering and instant alerts. Built for outdoor use with IP65 waterproof protection, it houses a 5200mAh battery that lasts up to 25–30 days. Compatible with Google Assistant and Alexa, it connects via 2.4GHz Wi-Fi and is fully controlled through the Tuya or Smart Life app, offering remote monitoring, notifications, and enhanced security features.

Features

Zigbee 3.0 connectivity for stable, low-power, and highly reliable communication.

Clear LCD display showing real-time temperature, humidity, battery level, and time.

Compatible with Amazon Alexa and Google Assistant for hands-free status checks.

Minimalist, compact design suitable for living rooms, bedrooms, offices, and commercial spaces.

Remote monitoring via the Tuya Smart Life app with full access to historical data.

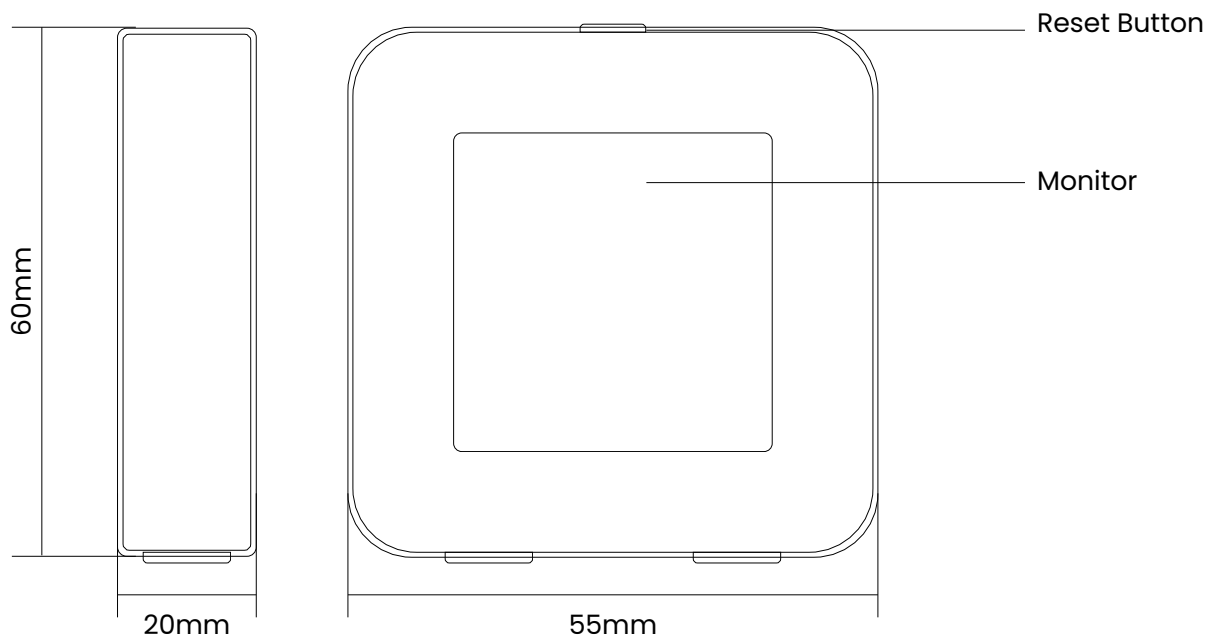
Battery-powered and wireless, enabling flexible placement without wiring.

Supports linkage control with all Tuya smart home devices.

Selectable display format: °C or °F.

Adjustable reporting cycle, sensitivity, and detection range for temperature and humidity.

Dimension & Attributes



Technical Parameter

Parameter

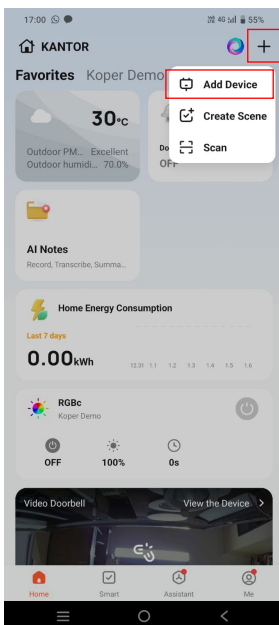
Specification

Input Voltage	DC4.5V LR03*3
Quiescent Current	≤ 30uA
Low Power Undervoltage	≤ 3.5V
WiFi	802.11b/g/n 2.4GHz
Working Temperature	-10°C~55
Working Humidity	10%~90%RH

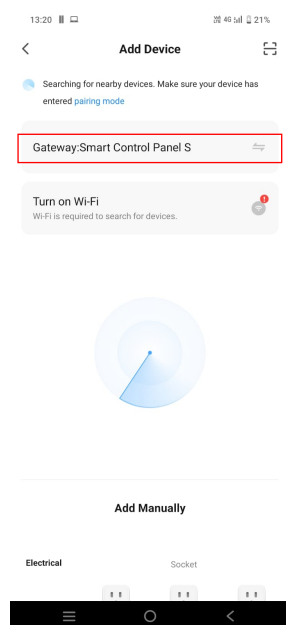
Doorbell Pairing & Configuration

Turn on the Smart Humidity & Temperature Sensor, then press the top button for 5 seconds to enter pairing mode.

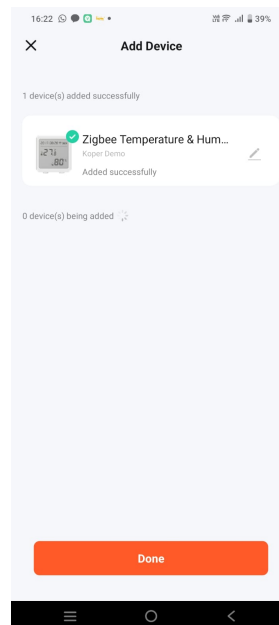
Open the Tuya app, tap the “+” button, choose “Add Device,” and select your gateway. The Smart Humidity & Temperature Sensor will automatically appear as an active smart device—simply continue the pairing process.



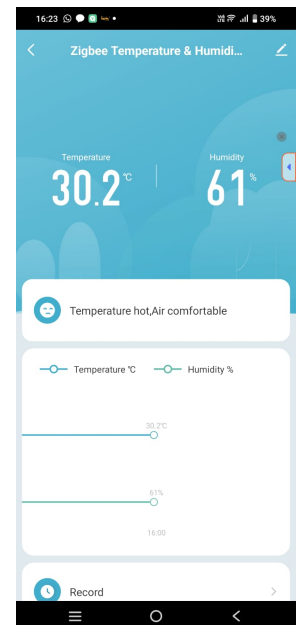
Add New Device



Select Gateway



Nearby Device Detected



Device Ready



Teralux Office

Komp. Ruko Harmoni Mas, Jl. Jemb. Dua Raya
No.15 blok A, RT.1/RW.3, Pejagalan, Penjaringan,
North Jakarta City, Jakarta 14450

teraluxliving.com