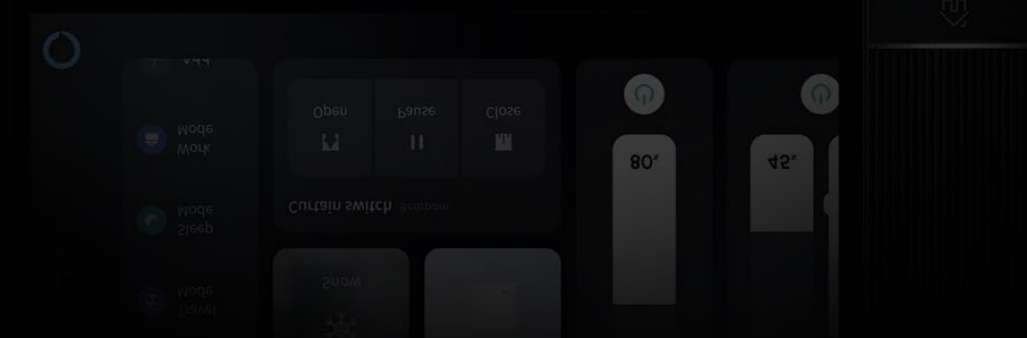
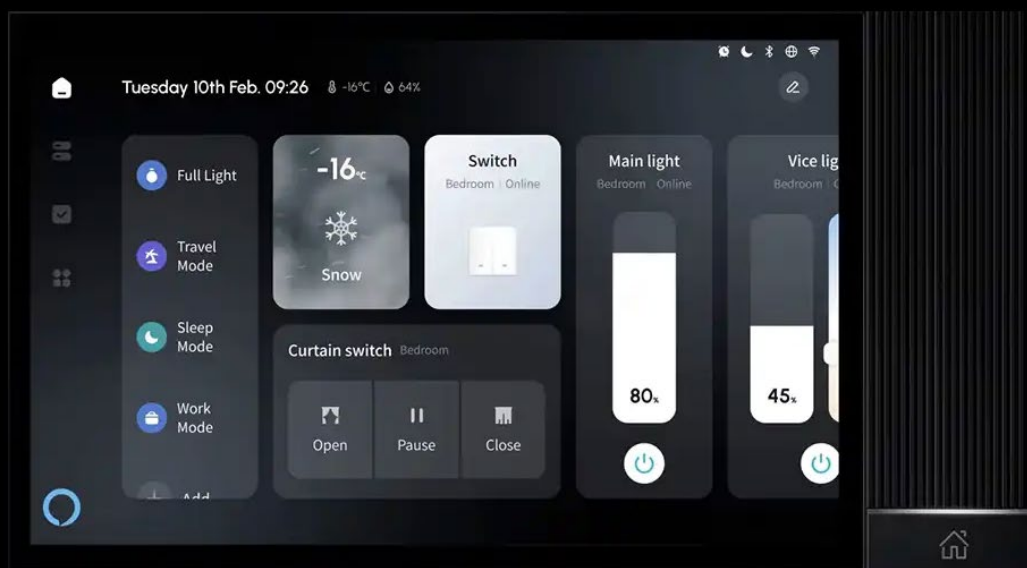




## Teralux Neo Panel 8 Inch Zigbee Gateway User Manual



**Teralux Office**

Komp. Ruko Harmoni Mas, Jl. Jemb. Dua Raya  
No.15 blok A, RT.1/RW.3, Pejagalan, Penjaringan,  
North Jakarta City, Jakarta 14450

# Teralux Neo Panel 8 Inch Zigbee Gateway

The Neo Panel 8 PRO Zigbee Gateway is an 8-inch smart touchscreen hub that unifies control of your entire smart home. With built-in Zigbee 3.0, Wi-Fi, BLE, RS485, Amazon Alexa, and an IR blaster, it connects both modern and legacy devices without needing extra gateways. It features a clear 1280×800 display, dual microphones, stereo audio with optional external speakers, and dual relay outputs for direct lighting control. Designed for clean wall installation, it offers effortless control of lights, curtains, climate systems, and more through touch, app, or voice.

## Features

Designed as an all-in-one control hub for home and office automation systems.

Supports over one hundred twenty-eight Zigbee and Bluetooth sub-devices under laboratory conditions.

Built-in Zigbee and BLE gateway eliminates the need for external hubs.

Integrated IR blaster for remote control of legacy appliances such as TVs and air conditioners.

Includes dual relay switch channels for direct load control.

Supports LAN connections for localized network deployment.

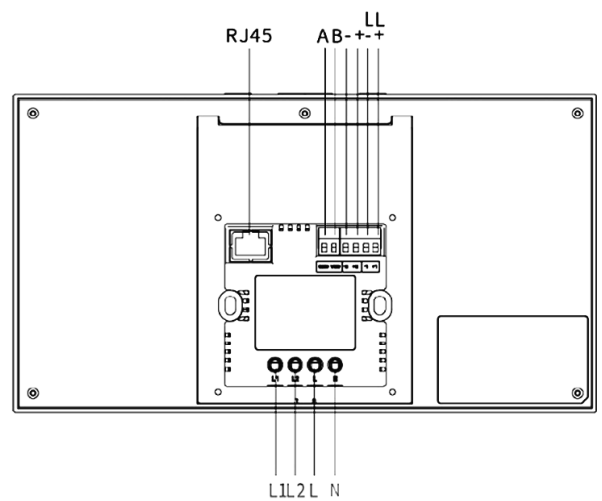
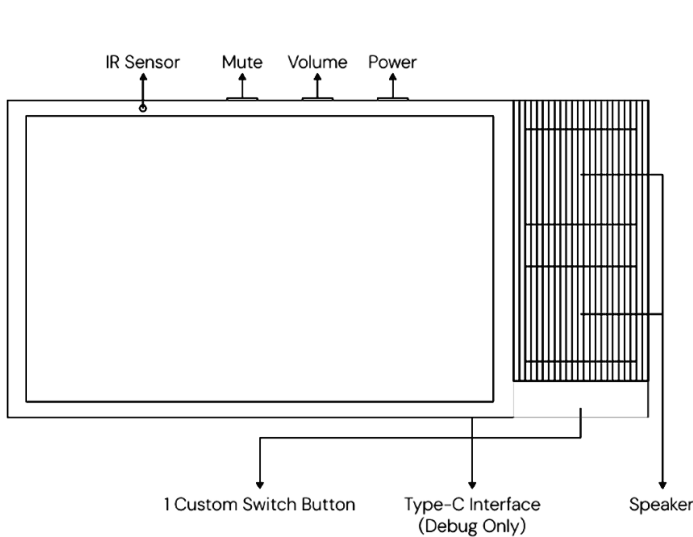
T-Control 1.0 feature with one customizable scene button to trigger any linked device or scene.

Supports multiple language configurations and personalized screen saver settings.

Includes built-in music amplifier and stereo speaker for background audio playback.

Compatible with external passive speaker output through audio terminals.

## Mechanical Structure



# Technical Parameter

## Teralux Neo Panel 8 Inch Zigbee Gateway

Control smart devices effortlessly using voice commands. Easily link more than 100 devices. Interact with visitors directly through the panel. Adjust language preferences for worldwide compatibility.

Overview	Parameter	Specification
Basic Information	Product Type	Zigbee Protocol Gateway Smart Home
	Input Voltage	100–240V AC, 50/60Hz (Live & Neutral)
	Operating System	Android 11
	Display	8 inch (1280*800)
	Dimension	127×233×38 mm
Hardware Specifications	CPU Architecture	Quad-core ARM Cortex™-A55
	GPU Model	RK3566
	Wi-Fi & Bluetooth	WiFi6 2.4GHz&5.8GHz, IEEE 802.11b/g/n,Bluetooth 5.2
	Storage Capacity	2GB RAM   16GB ROM
Interface	Screen	8Inch   1280*800   Multi Touch Capacitive Screen
	IR	Built-in 3 Infrared Emitters
	Microphone	2
	Speaker	2
	Amplifier Interface	L-, L+, R-, R+
	External Speaker	Impedance 8Ω, power 30W
	Antenna	Built-in Shell Antenna
Software Function	Zigbee & Bluetooth Gateway Function	128+ Sub Devices Supporting
	Infrared control	Support for Controlling Infrared Devices

## Installation Instructions

- Before installation, ensure that the neutral wire is prepared and available for proper power connection.
- Make sure your chosen network method is ready by arranging either the Wi-Fi setup or the Ethernet cable in advance.
- If you plan to use any additional functional ports, prepare the necessary cables beforehand to keep the installation smooth.
- Use a suitable plastic wall box with sufficient depth to maintain electrical safety and support good wireless performance.
- Prepare basic tools such as a screwdriver and test pen, and always make sure the power is turned off before operating.

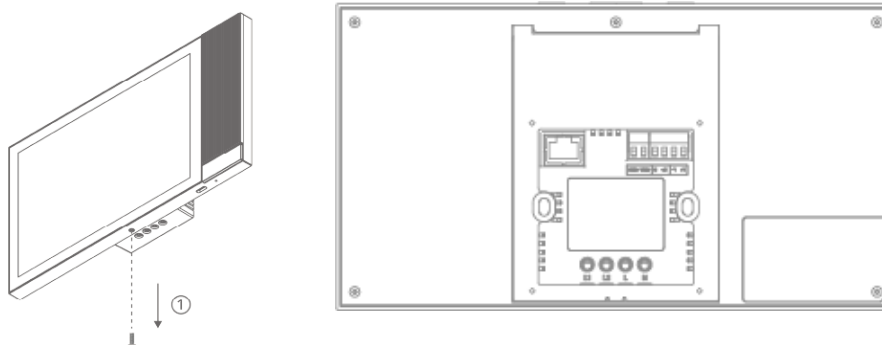
### Professional Note:

In order to ensure the correct use of this product, it must be installed, maintained and disassembled by a professional electrician.

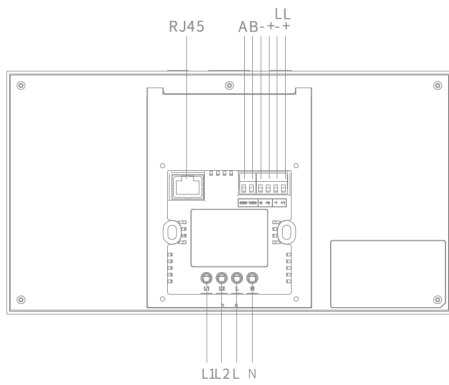
Before installing and disassembling this product, the main power switch must be cut off to prevent electric shock.

This product should be kept away from fire and water sources during installation and use and should not be used in humid environments (such as bathrooms).

Confirm that the voltage is in line with the working voltage of this product before use, and do not insert the PoE network cable into the network port.

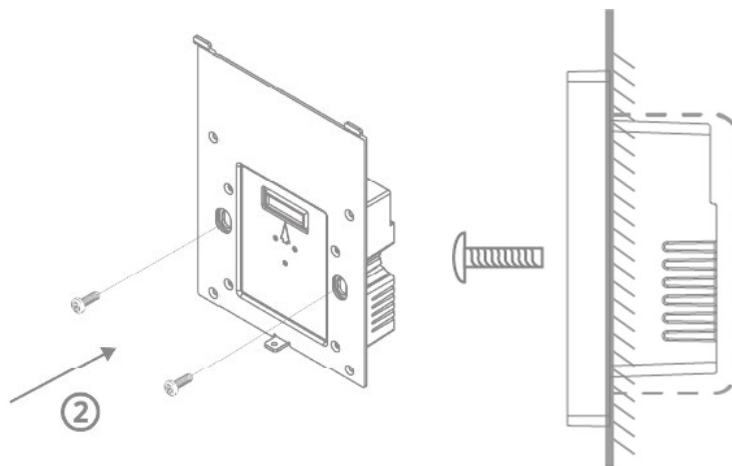


Remove the screws at the bottom, and then remove the panel and the power supply base.

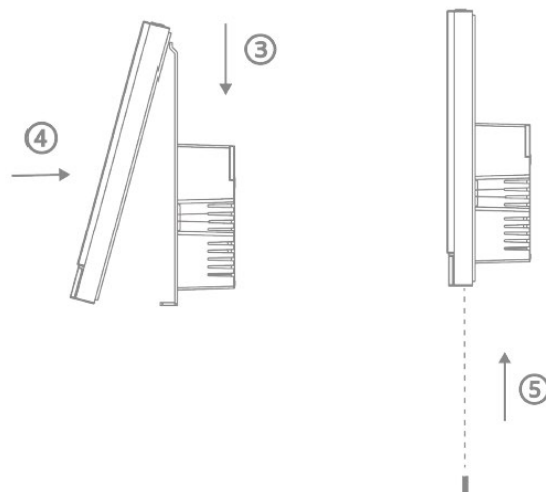


- |    |                      |      |                      |
|----|----------------------|------|----------------------|
| L  | : Live wire input    | RJ45 | : Wired Network port |
| N  | : Neutral wire input | A    | : 485                |
| L1 | : Light line 1       | B    | : 485                |
| L2 | : Light line 2       | R-R+ | : External Speaker   |
|    |                      | L-L+ | : External Speaker   |

Connect the base correctly, making sure that the copper wire and the terminal are well released and that there is no exposed wire.



Use mounting screws to fix the base into the concealed box.



Align the panel with the base bracket from top to bottom; Close the panel and the base; Attach the bottom screws to fix it.

# System Diagram





**Teralux Office**

Komp. Ruko Harmoni Mas, Jl. Jemb. Dua Raya  
No.15 blok A, RT.1/RW.3, Pejagalan, Penjaringan,  
North Jakarta City, Jakarta 14450

[teraluxliving.com](http://teraluxliving.com)