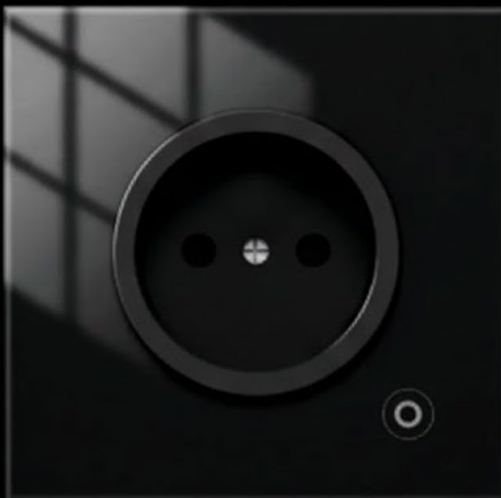




Teralux Smart Wall Socket EU Standart User Manual



CE RoHS FC

Teralux Office

Komp. Ruko Harmoni Mas, Jl. Jemb. Dua Raya
No.15 blok A, RT.1/RW.3, Pejagalan, Penjaringan,
North Jakarta City, Jakarta 14450

Teralux Smart Wall Socket EU

The TERALUX Zigbee Smart Wall Socket offers safe, reliable, and smart power control for any home. With Zigbee 3.0 and Wi-Fi connectivity, you can remotely manage appliances, set schedules, and use voice commands with Alexa or Google Home. Built with flame-retardant materials and equipped with overvoltage, overcurrent, and overcharge protection, it supports up to 3000W for everyday use. Control everything easily through the Tuya Smart or Smart Life app.

Features

Timer, schedule, cyclic, and random timing modes for fully automated device control.

Built-in overvoltage, overcurrent, and overcharge protection to safeguard connected devices.

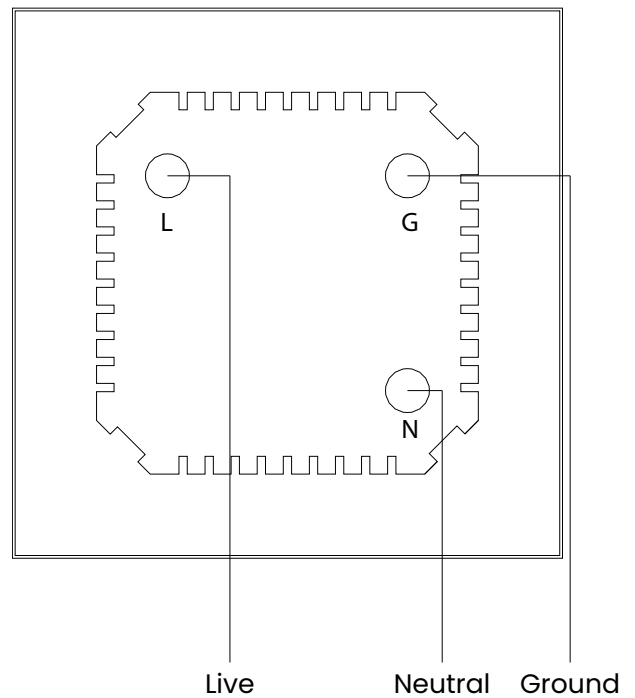
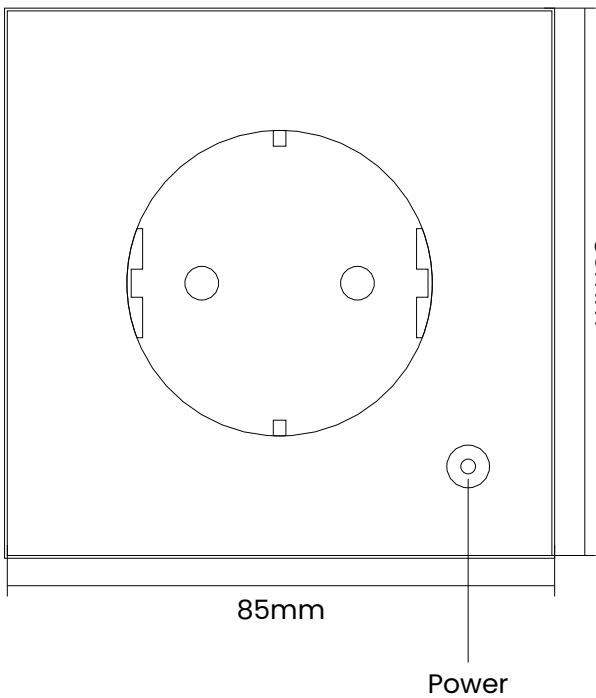
Add multiple schedules for dynamic and customizable automation.

Manage your socket anytime, anywhere using Tuya or Smart Life App.

Works seamlessly with Amazon Alexa and Google Home for hands-free voice control.

Automatically turns off after a preset duration to prevent overuse or overheating.

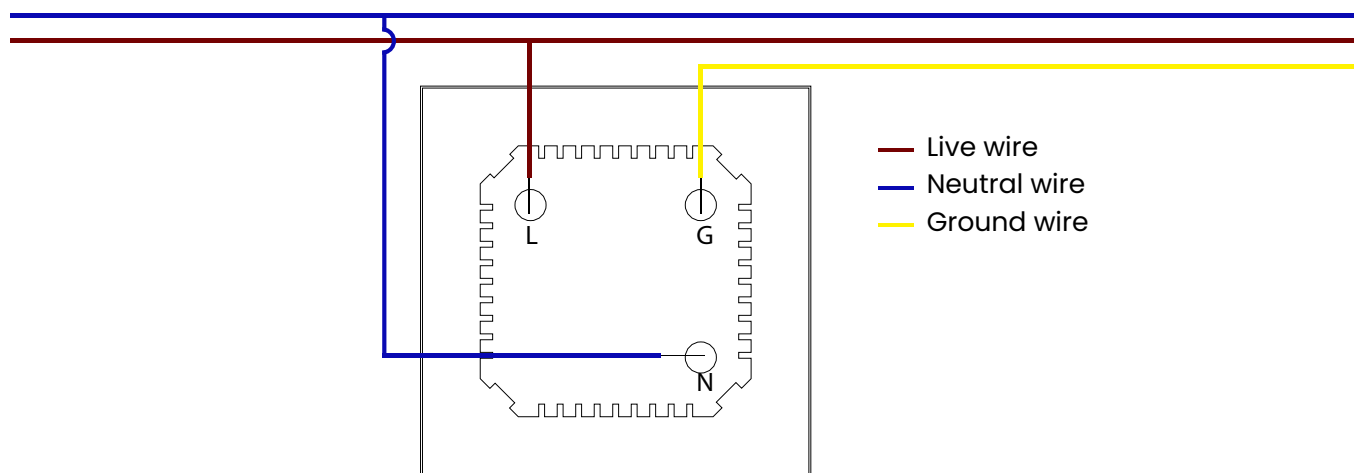
Product Dimension & Attributes



Technical Parameter

Parameter	Specification
Wireless Network	WiFi 802.11 b/g/n 2.4GHz
Wireless Protocol	Zigbee 3.0
Type	Wall Socket Plug Standard EU
Working voltage	AC110V/250 60Hz
Voltage	95~245V AC, 50/60Hz
Max. Load Power	3000W
Power consuming	≤0.3W
Rated Current	16A
Material	ABS flame retarding polymer
Working temperature	-20 ~ 45°C (-4 ~ 113°F)
Working Humidity	≤80%
Grounding	Standard Grounding

Wiring Diagram



Installation Instructions

Ensure the power at the circuit breaker is switched off before commencing the wiring process.

Verify the presence of a Neutral Wire in the wall box. If absent, consider selecting an alternate location within your home. Alternatively, seek the assistance of a professional electrician for proper installation.

Please note that wire colors specified in this manual are typical and may vary in certain households.

Securely fasten wire conductors to each corresponding wire.

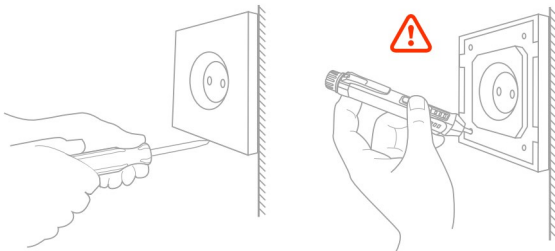
Prior to wiring, confirm a stable Wi-Fi signal and ensure normal operation. Ensure that your mobile device and Zigbee gateway hub are connected to the same 2.4 GHz Wi-Fi network.

If you lack experience in wiring, it is recommended to consult a professional electrician for assistance.

Step 1:

Turn off the circuit breaker and verify with an electrical tester that the power is completely off. Keep the breaker off throughout the wiring process. Always disconnect the power supply before installing or removing the device to avoid damage or issues like unexpected lamp flashing caused by electric current.

Step 2: Remove the Old Socket



Step 3:

Remove the switch and pull it away from the wall.

Identify Line/Load Wire (Note: The wire color may differ from the manual's illustration).

Verify power is off by using an electrical tester on all connected wires. Remove the faceplate and test each wire to ensure no voltage is present in the circuit. You may need to turn off more than one circuit breaker.

Step 4:

Connect the live wire to the "L" terminal, the neutral wire to the "N" terminal, and the ground wire to the "G" terminal to prepare the wiring properly.

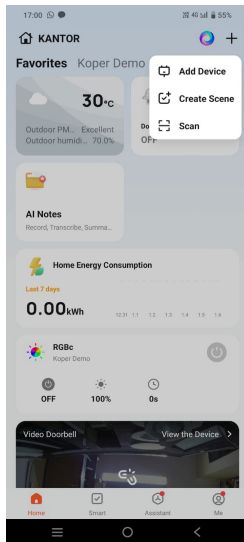
Step 4:

Place the switch into the wall switch box, secure it by mounting the two side screws, and then attach the glass panel from the top to complete the installation.

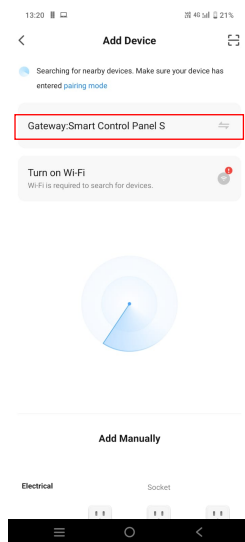
Pairing Instructions

After the Teralux Smart Socket is connected to power, press the power button several times until the indicator light starts blinking, indicating that the device has entered pairing mode.

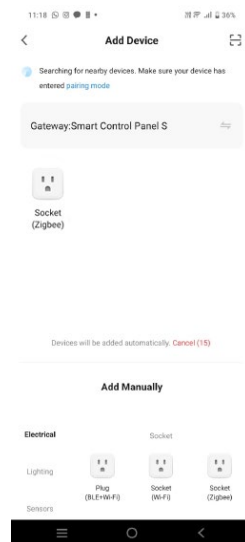
Open the Tuya app, select Add New Device, then choose Gateway. The Teralux Smart Socket will be detected as an active nearby device and is ready to be connected.



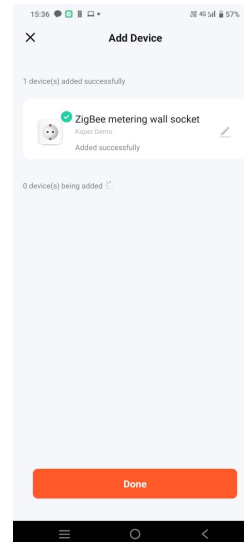
Add New Device



Select Gateway



Nearby Device Detected

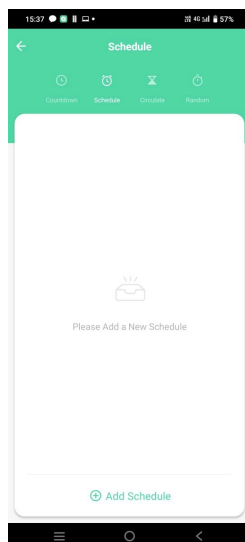


Device Ready

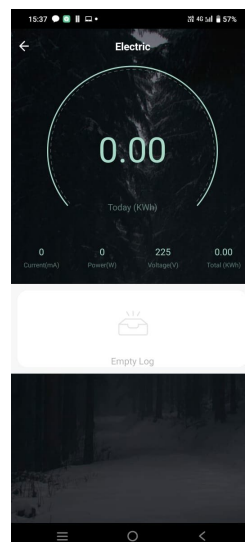
Device Function



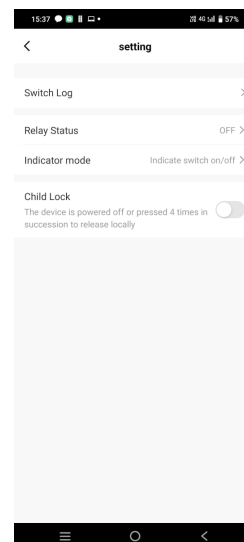
Mobile Power Switch



Schedule



Power Information



Device Personalization



Teralux Office

Komp. Ruko Harmoni Mas, Jl. Jemb. Dua Raya
No.15 blok A, RT.1/RW.3, Pejagalan, Penjaringan,
North Jakarta City, Jakarta 14450

teraluxliving.com