

AC TRIAC Rotary Glass Panel User Manual



CE RoHS  LVD

Teralux Office

Komp. Ruko Harmoni Mas, Jl. Jemb. Dua Raya
No.15 blok A, RT.1/RW.3, Pejagalan, Penjaringan,
North Jakarta City, Jakarta 14450

TRIAC Glass Panel

AC TRIAC Rotary Glass Panel Dimmer 1 CH 1.5A AC 100–240V S1-K

The TRIAC RF Rotary Glass Panel Dimmer is a 1-channel 1.5A AC phase-cut dimmer that delivers smooth 0–100% brightness control through a sleek rotary glass panel with push and long-push functions. It supports dimmable LED, incandescent, and halogen lights, offers 256-level flicker-free dimming, and allows leading or trailing edge selection via DIP switch. With RF 2.4G remote compatibility, selectable 3-second fade on/off, and built-in overheat and overload protection, it provides reliable and flexible lighting control.

Features

Rotary glass panel AC phase-cut dimmer, 1 channel output.

Dim and switch single color dimmable LED lamps, traditional incandescent and halogen lights.

Rotate knob to change brightness, support push and long push operation.

256 levels 0–100% dimming smoothly without any flash.

Leading edge dimming or trailing edge dimming set by dip switch.


Light on/off fade time 3s selectable.

Compatibility with RF 2.4G single zone or multiple zone dimming remote control.

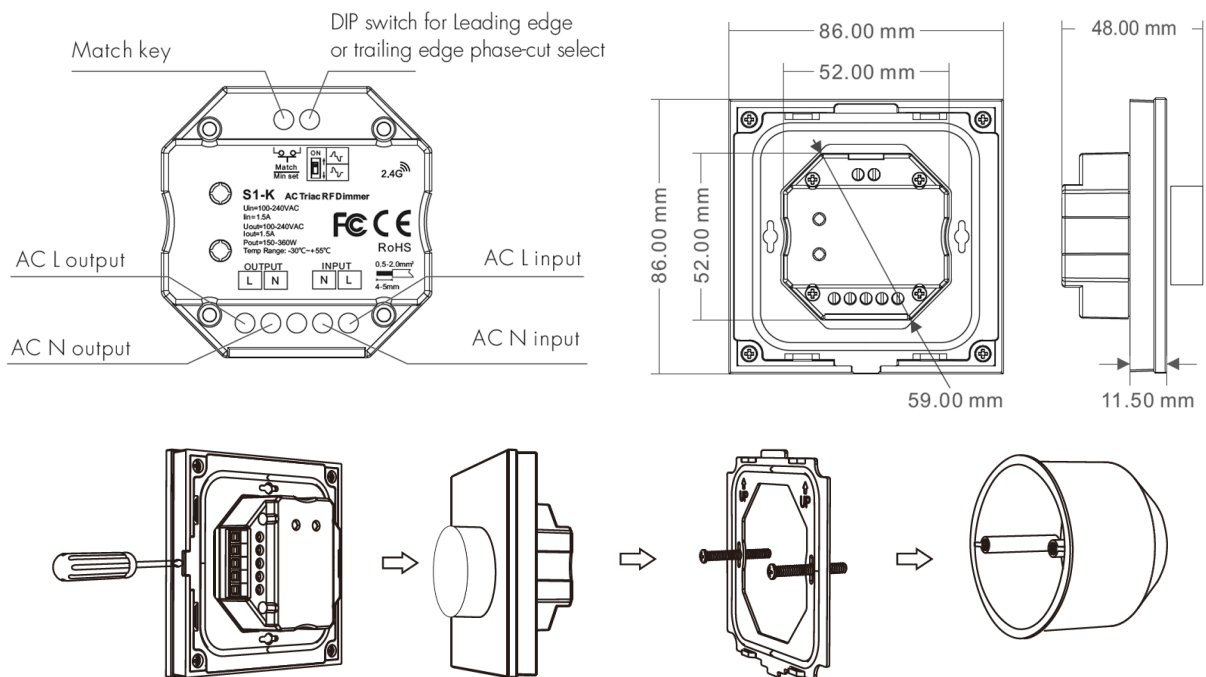
Over-heat / Over-load protection, recover automatically.



Technical Parameter

Category	Item	Specification
Input and Output	Input voltage	100–240VAC
	Output voltage	AC100–240V
	Output voltage	AC100–240V
	Output current	Max 1.5A
	Output power	150–360W
Safety and EMC	EMC standard (EMC)	ETSI EN 301 489-1 V2.2.3
		ETSI EN 301 489-17 V3.2.4
	Safety standard (LVD)	EN 62368-1:2020+A11:2020
	Radio Equipment (RED)	ETSI EN 300 328 V2.2.2
	Certification	CE RoHS  LVD
Dimming Data	Input Signal	Rotary knob + RF 2.4GHz
	RF control distance	19m (barrier-free)
	Dimming level	256 levels
	Dimming range	0–100%
Environment	Operation temperature	-30°C ~ +55°C
	Case temperature (Max)	Tc: +85°C
	IP rating	IP20

Mechanical Structures and Installation

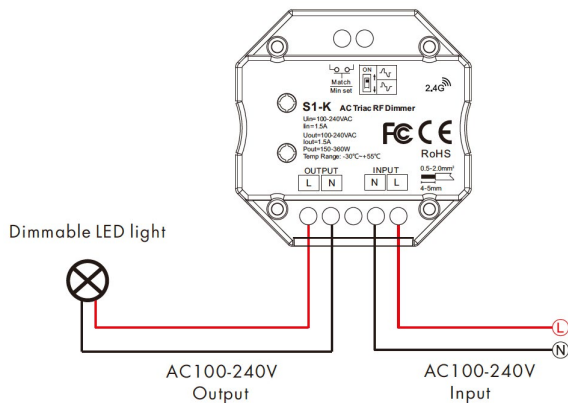


Compatible Load Type

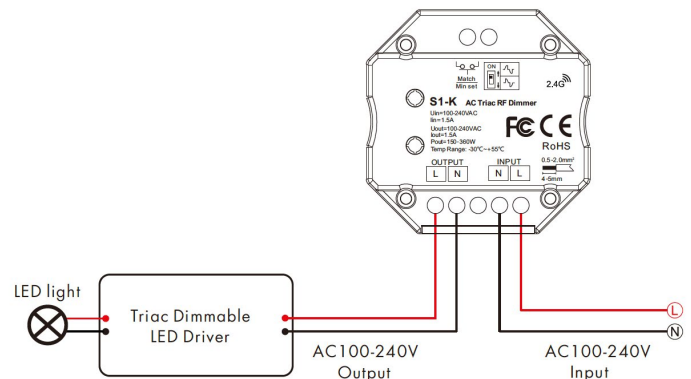
Load Type	Maximum Load	Remark
Dimmable LED	200 W @220 V 100 W @110 V	Depends on lamp design/PF
TRIAC LED Driver	200 W @220 V 100 W @110 V	200W ÷ driver rating; surge ≤2×
Hologen Lamps	200 W @220 V 100 W @110 V	Standard load.

Wiring Diagram

- Connect With Dimmable LED Light



- Connect With TRIAC Dimmable Driver



Note:

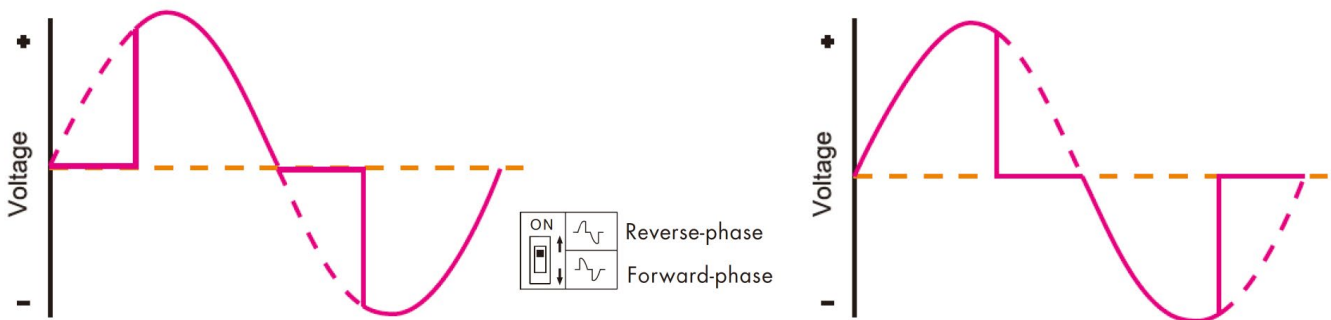
The product should be installed and repaired only by professional personnel. When calculating the maximum number of load lamps or drivers, the input power or input current parameters of a single lamp or driver must be used, the output power parameters can not be used.

In addition, the maximum surge current of the dimmer is 65A, the sum of surge current of multiple dimmable LED drivers should not exceed 2 times. otherwise, the product will be overloaded and damaged..

Leading Edge or Trailing Edge Dimming Setting

- Forward-phase Control Dimmer (TRIAC)

- Reverse-phase Control Dimmer



- Min Brightness Setting

Long press Min set key for 2s, the light blinks 2 times, ready for min brightness set, then short press Min set key 1-6 times, to get 6 min brightness: 5%, 10%, 15%, 20%, 25% or 30%, the light will output the current min brightness immediately. Long press Min set key for 2s or wait 8s, quit min brightness set, the light will output 100% brightness automatically.

- Light on/off Fade Time

Long press Match key 5s, then short press Match key 3 times, the light on/off time will be set to 3s, the indicator light blinks 3 times. Long press Match key 10s, restore factory default parameter, the light on/off time also restores to 0.5s.

- Using Match Key

Match: Short press Match key, immediately press on/off key (single zone remote) or zone key (multiple zone remote) of the remote.

Delete: Press and hold Match key for 5s to delete all match, the light blinks 5 times means all matched remotes were deleted

- Using Knob

Match: Turn on light, turn off, immediately push the knob for 5s, then press on/off key (single zone remote) or zone key (multiple zone remote) of the RF remote within 5s. The LED indicator fast flash 3 times means match is successful.

Delete: Turn on light, turn off, immediately push the knob for 10s to delete all match, The LED indicator fast flash 6 times means all matched remotes were deleted.

- Using Power Restart

Match: Switch off the power, then switch on power, repeat again, immediately short press on/off key (single zone remote) or zone key (multiple zone remote) 3 times on the remote. The light blinks 3 times means match is successful.

Delete: Switch off the power, then switch on power, repeat again, immediately short press on/off key (single zone remote) or zone key (multiple zone remote) 5 times on the remote. The light blinks 5 times means all matched remotes were deleted.



Teralux Office

Komp. Ruko Harmoni Mas, Jl. Jemb. Dua Raya
No.15 blok A, RT.1/RW.3, Pejagalan, Penjaringan,
North Jakarta City, Jakarta 14450

teraluxliving.com