



# Teralux Dual Color Driver CXR User Manual

Zigbee Magnetic & Linear Lamp Driver



**Teralux Office**

Komp. Ruko Harmoni Mas, Jl. Jemb. Dua Raya  
No.15 blok A, RT.1/RW.3, Pejagalan, Penjaringan,  
North Jakarta City, Jakarta 14450

# Teralux CXR Series

## Zigbee Protocol Magnetic & Linear Light Driver

The TERALUX Living Smart Device is a versatile DC-to-DC magnetic and linear lamp driver designed for modern smart-lighting applications. It supports Zigbee 3.0 connectivity and Tuya App control, allowing easy adjustment of brightness and color temperature, as well as access to timers, scenes, sleep/wake functions, and voice control through major smart assistants. Built with no-polarity input, flicker-free dimming, and multiple protection features, it ensures safe and stable performance. Its compact design and compatibility with magnetic lighting systems make it suitable for a wide range of downlights, spotlights, and decorative lighting in residential, commercial, and hospitality environments.

### Features

DC to DC constant current output, multiple output current settings.

Tuya APP cloud control, support color temp and brightness adjust, delay turn on/off, timer run, scene edit, sleep wake-up and biorhythms function.

Voice control, support Alexa, Google, Amazon ECHO and TmallGenie smart speaker.

Can relay and route to each other, up to 15 hops.

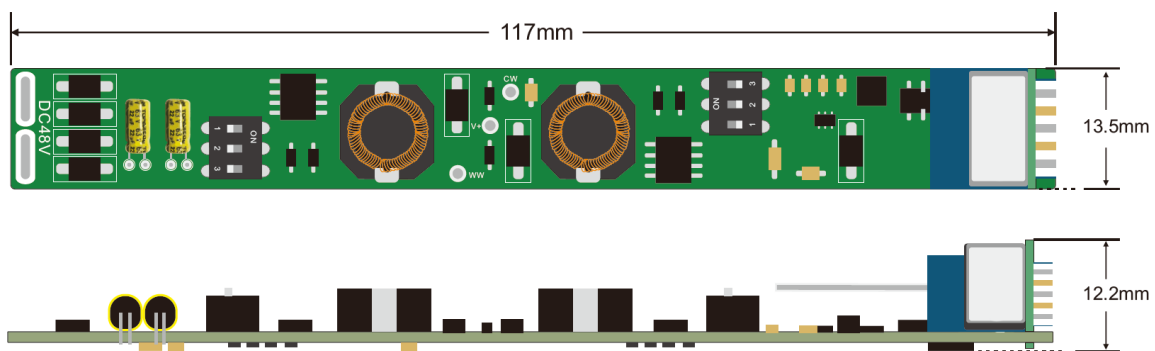
Match with Zigbee 3.0 remote or scene panel control optional.

Suitable for STUCCHI standard housings, magnetic installation.

Smooth dimming without flicker, quiet without noise.

Short circuit, overload, no-load and anti-reverse protection.

### Mechanical Structure



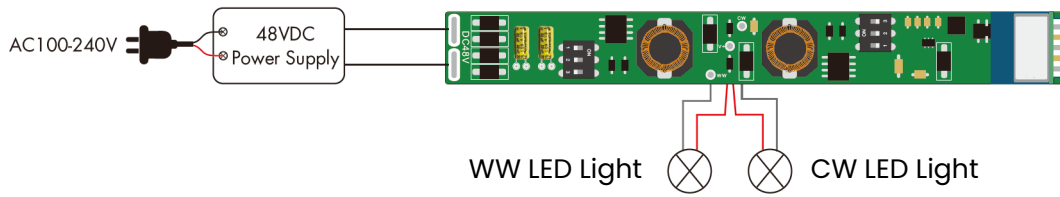
## Technical Parameter

### Zigbee Protocol Magnetic & Linear Light Driver

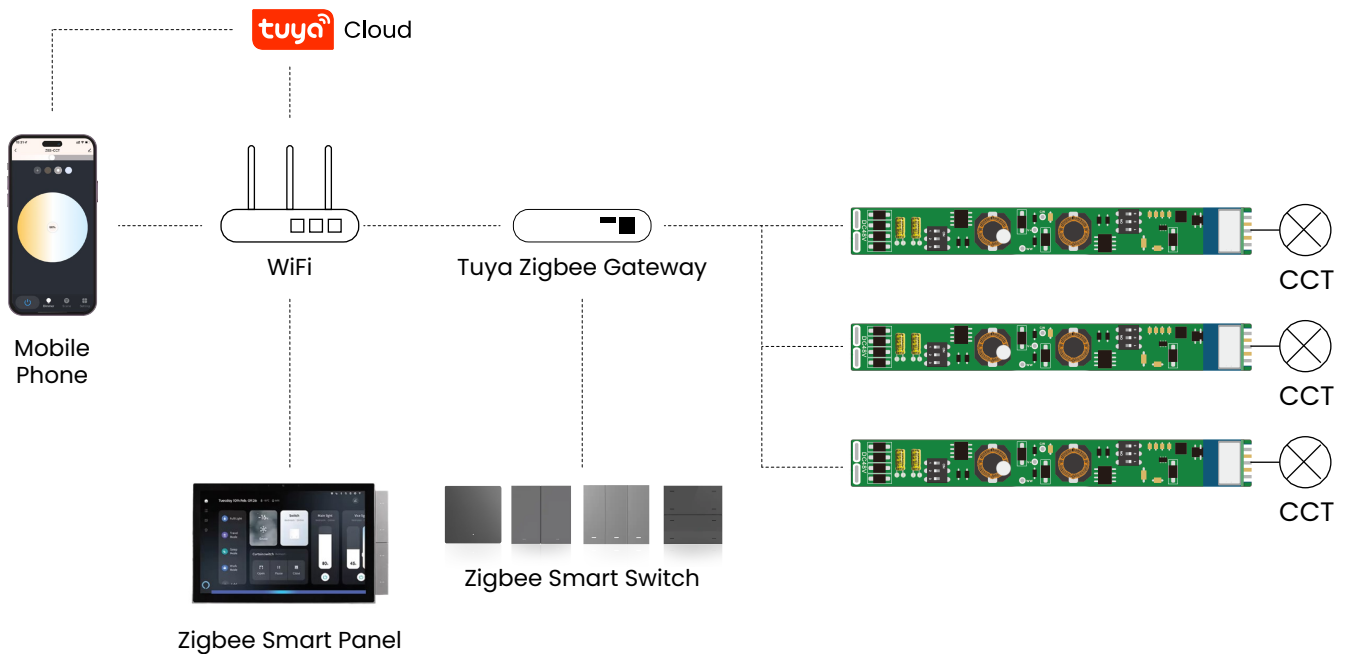
Engineered for modern smart lighting, this converter delivers smooth, accurate brightness adjustment with dependable efficiency and compatibility.

Category	Parameter	CXR 500mA 19W	CXR 700mA 30W
Output	Output Voltage	10~42VDC	
	Output Current	2(150~500)mA	2x(350~700)mA
	Output Power	1.5W~21W	3.5W~29.4W
	Current Accuracy	±5%	
	Dimming Range	0-100%	
	Channel	2	
Input	Dimming Interface	Zigbee 3.0	
	Input Voltage	48VDC ±5% (No polarity)	
	Input Current	Max. 0.47A	Max. 0.65A
	Efficiency	93%	95%
	Standby Power	< 0.5W	
Environment	Working Temperature	-20~50°C	
	Storage Temperature	-40~80°C	
	Working Humidity	20~95%RH, non-condensing	
Protection	Overload	Hiccup, recovers automatically	
	Short Circuit	Hiccup, recovers automatically	
	Input Anti-reverse Protection	No input polarity	

## Wiring Diagram



## System Wiring



### Note:

The stated distance is measured in a spacious, obstacle-free environment, so users should refer to the actual test distance before installation. Ensure the WiFi router operates on the 2.4G band, as 5G is not supported, and avoid hiding your network. Keep the LED driver close to the router and check signal strength. For remote and voice control, a Tuya ZigBee gateway is required, unless using a smart panel with an integrated ZigBee gateway function.

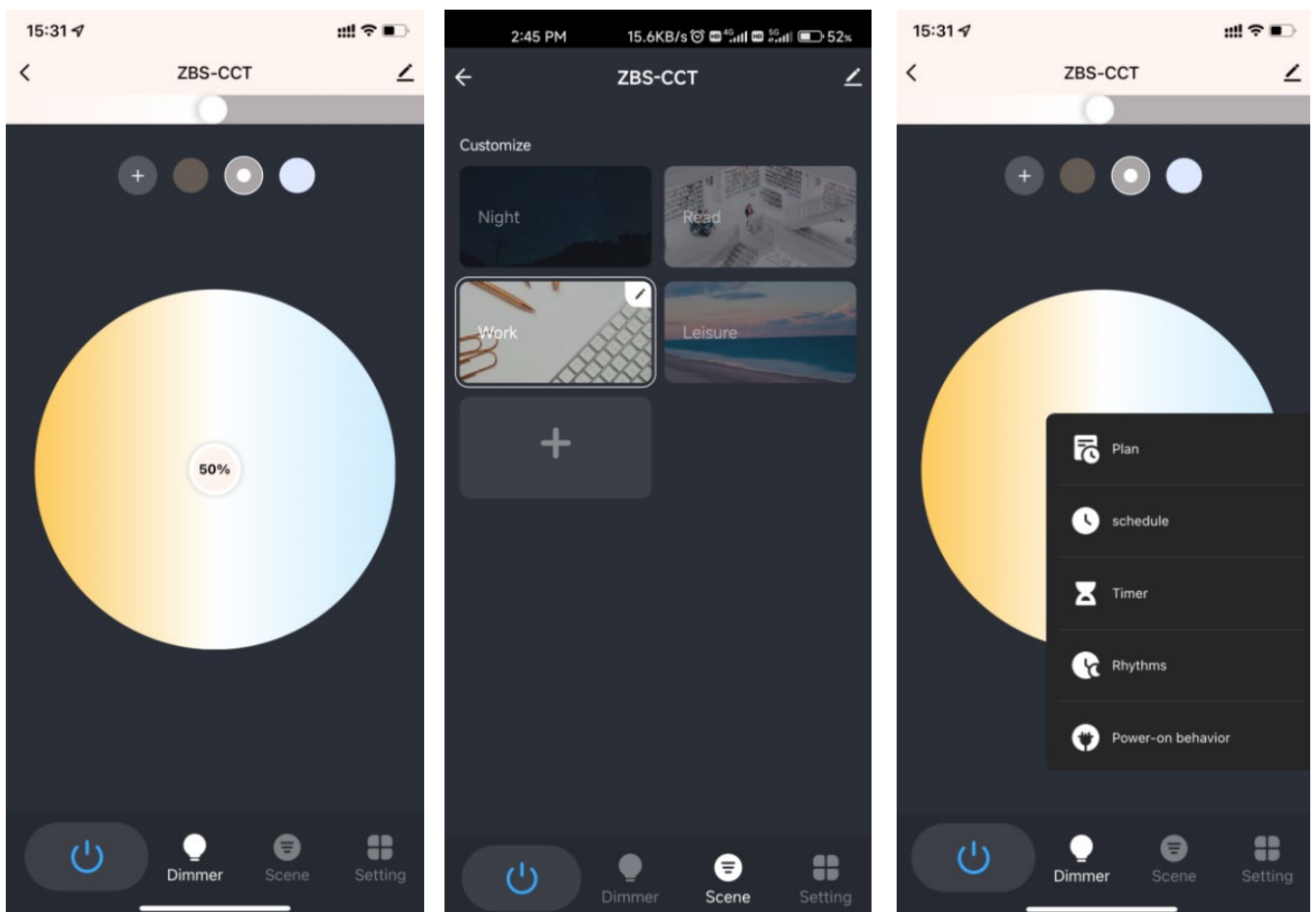
# APP Operating Instructions

## Network Pairing

To begin network pairing, download the Tuya Smart App and register an account, then search for and add the Tuya ZigBee gateway device. Quickly press the RESET button five times, or power the device on and off five times, to clear any previous network connection. The device will enter pairing mode, indicated by the output light breathing or blinking. Once the gateway is ready, search for and add a new device. If the connection is successful, the ZBS-CCT device will appear in the Tuya App.

## App Control Setting

After pairing the light device, you can adjust the brightness and color temperature using the touch brightness slider and color wheel within the app. In the Scene section, four preset scenes are available, and each can be recalled or customized. In the Setting section, you can access additional features such as Plan, Schedule, Timer, Rhythms, and Power-on behavior options.





**Teralux Office**

Komp. Ruko Harmoni Mas, Jl. Jemb. Dua Raya  
No.15 blok A, RT.1/RW.3, Pejagalan, Penjaringan,  
North Jakarta City, Jakarta 14450

[teraluxliving.com](http://teraluxliving.com)