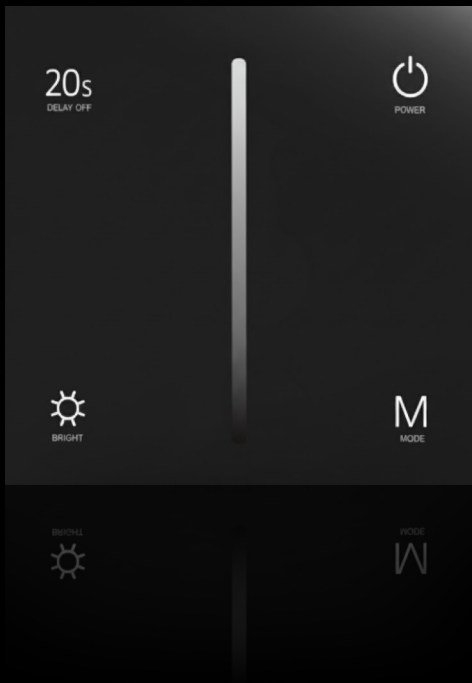


# Teralux T18 Touch Glass Panel User Manual

0/1-10V Touch Glass Panel

CE RoHS FCC RED



**Teralux Office**

Komp. Ruko Harmoni Mas, Jl. Jemb. Dua Raya  
No.15 blok A, RT.1/RW.3, Pejagalan, Penjaringan,  
North Jakarta City, Jakarta 14450

# Teralux S1-B (WZ)

## Tuya Wi-Fi + RF Smart Push Switch

TERALUX T18 Touch Glass Panel 0/1-10V Dimmer is a premium modern dimmer panel featuring an elegant glass touch surface, designed to precisely adjust lighting brightness via 0-10V or 1-10V output. It uses a smooth, responsive slide touch bar in the center, supported by touch buttons with LED indicators for intuitive and accurate control.

This device is compatible with all 0/1-10V dimmable drivers and includes an AC relay with zero-crossing detection for safer, more stable long-term switching performance. The T18 comes in sleek white or black glass finishes, and supports optional 2.4GHz RF remote control for convenient wireless operation.

### Features

Premium tempered glass touch panel delivers a sleek, modern aesthetic that instantly elevates any interior space.

Smooth slide-touch brightness control allows effortless, precise adjustment of lighting levels with a single gesture.

Touch buttons with bright, clear LED indicators provide instant visual feedback for confident, intuitive operation.

Built-in AC relay with zero-crossing detection guarantees stable switching performance while extending the lifespan of connected loads.

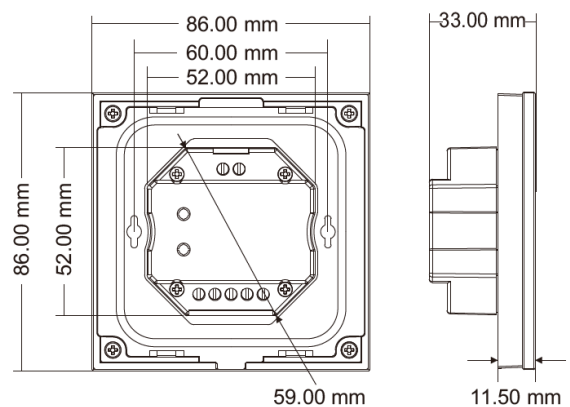
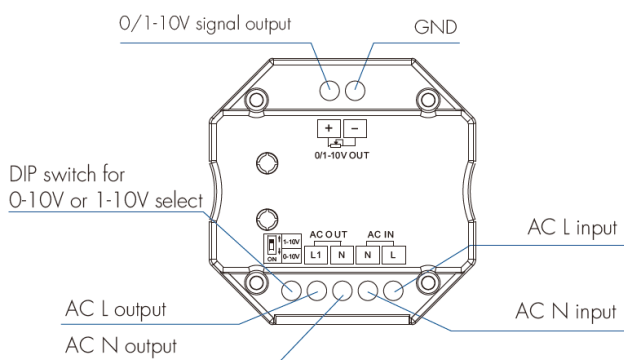
Subtle backlight illumination makes the panel easy to locate and operate in dark or low-light environments.

Ultra-slim, minimalist form factor blends seamlessly into modern interiors without appearing bulky or distracting.

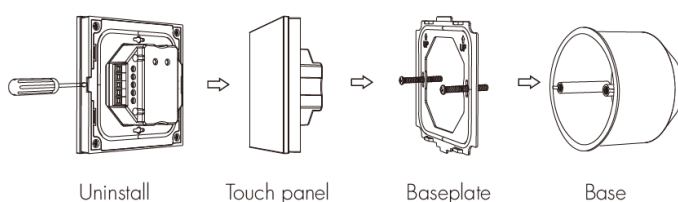
Choice of elegant white or black glass finishes to complement a wide variety of décor styles and room themes.

Energy efficient electronics ensure low power consumption.

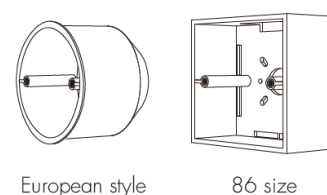
### Mechanical Structure



Installation diagram:




Typical base as below:



## Technical Parameter

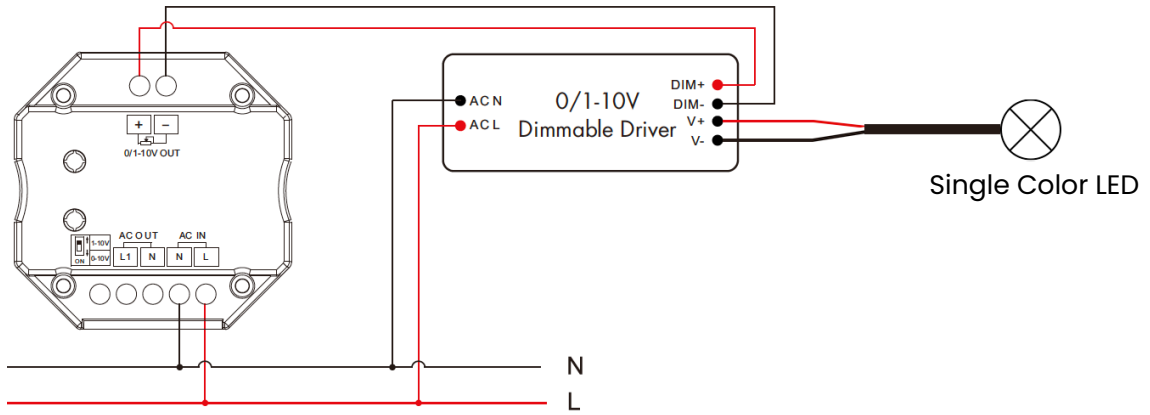
### Tuya Wi-Fi + RF Smart Push Switch

Engineered for modern smart lighting, this converter delivers smooth, accurate brightness adjustment with dependable efficiency and compatibility.

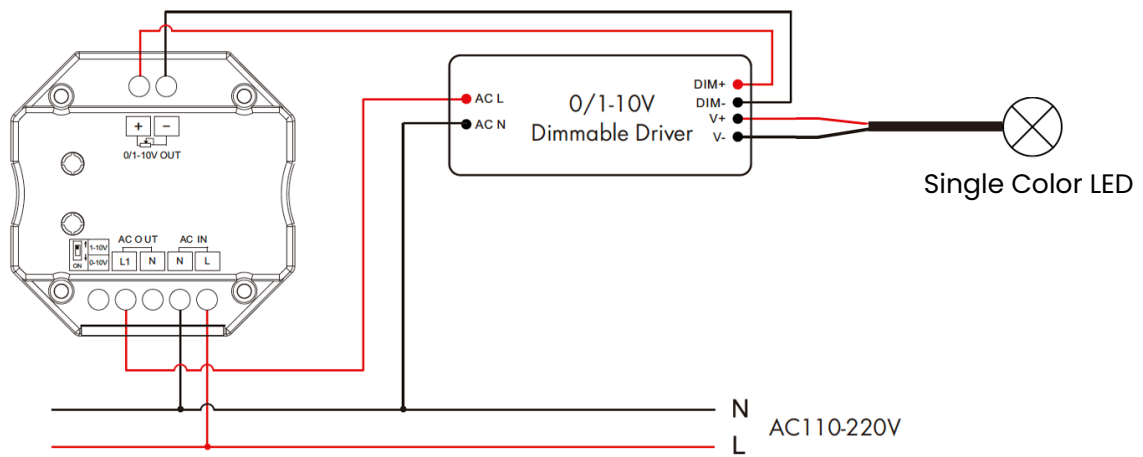
Category	Item	Specification
Input and Output	Input voltage	AC100–240V
	Output signal	0–10V (50mA)
	Output current	Max 1.5A
	Output power	Max. 3A (AC)
	Relay surge current	200A
Environment	Operation temperature	Ta: -30°C ~ +55°C
	Case temperature (Max.)	Tc: +65°C
	IP rating	IP 20
Dimming data	Input Signal	ETSI EN 301 489-1 V2.2.3
	RF control distance	10m (Barrier-free space)
	Dimming gray level	256 levels
	Dimming range	0–100%
Safety and EMC	EMC standard	ETSI EN 301 489-17 V3.2.4 ; ETSI EN 301 489-1 V2.2.3
	Safety standard	EN 61347-1:2015+A1:2021 ; EN 61347-2-13:2014+A1:2017
	Radio equipment	ETSI EN 300 328 V2.2.2
	Certification	CE RoHS FC  RED
Package	Size	L112 × W112 × H50mm

# Wiring Diagram

- Connected With 0/1-10V Dimmable Driver (No AC OUT)



- Connected With 0/1-10V Dimmable Driver (AC OUT)





**Teralux Office**

Komp. Ruko Harmoni Mas, Jl. Jemb. Dua Raya  
No.15 blok A, RT.1/RW.3, Pejagalan, Penjaringan,  
North Jakarta City, Jakarta 14450

[teraluxliving.com](http://teraluxliving.com)